

Configuration A to B



AQUATru[®]
BY IDEAL LIVING

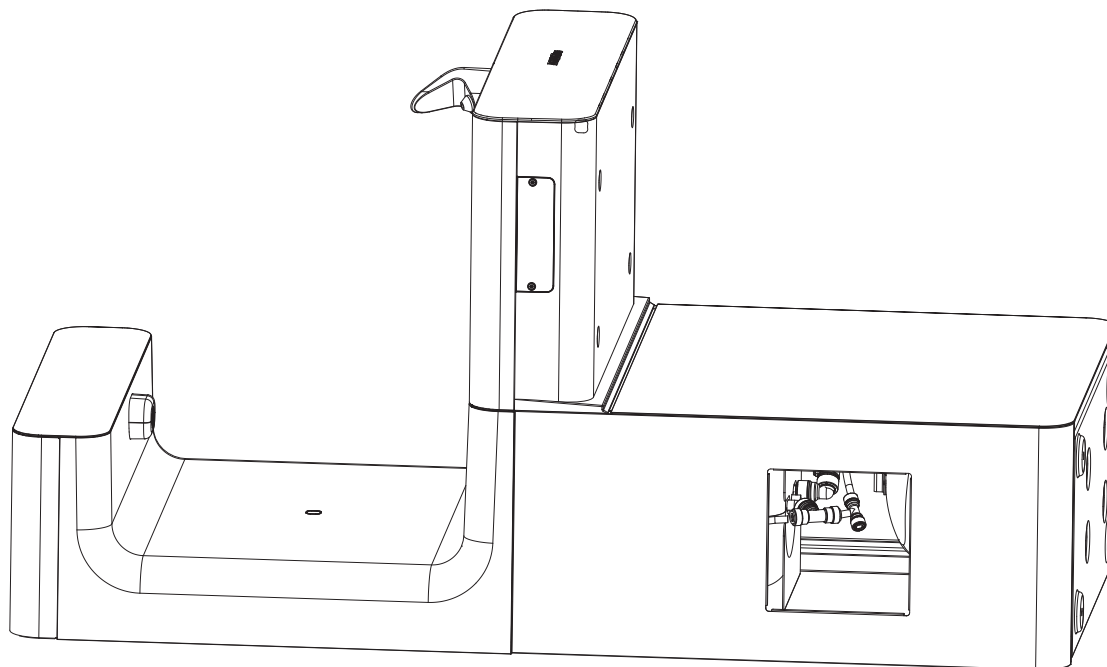
PRO SERIES

On-Wall Bi-Level Bubbler
with Bottle Filler

Configuration A to B

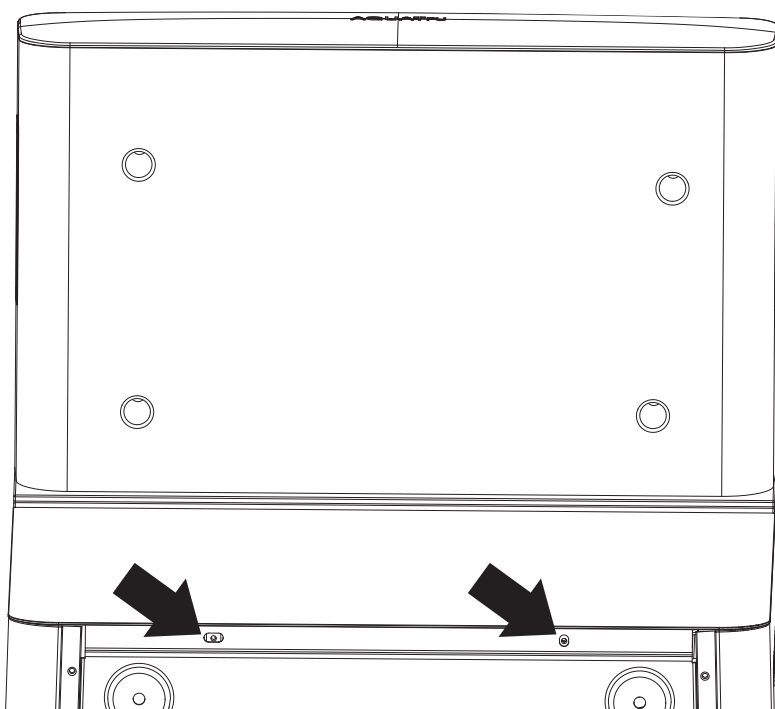
STEP
1

Gently tip Main Unit onto its back.



STEP
2

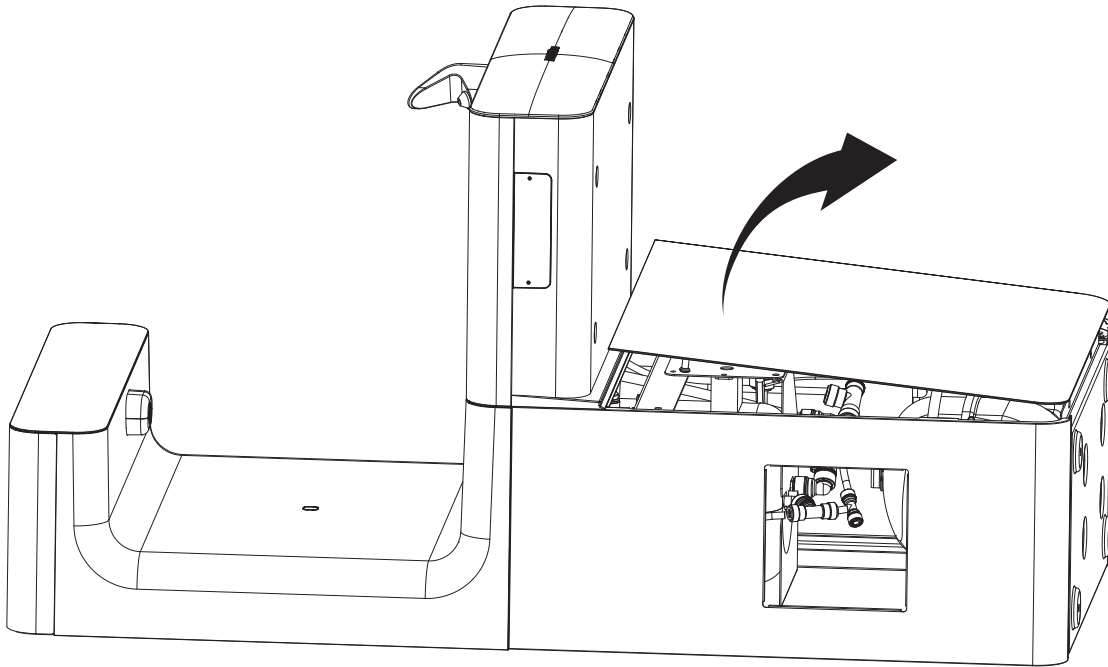
Undo the two screws that secure the front panel.



Configuration A to B

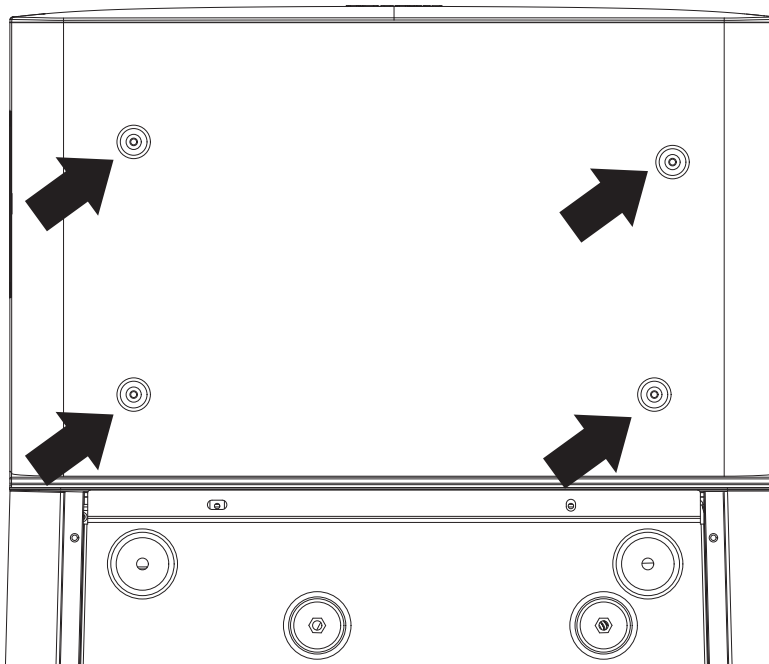
STEP
3

Gently push the panel up from the bottom and lift it from the top to remove it.



STEP
4

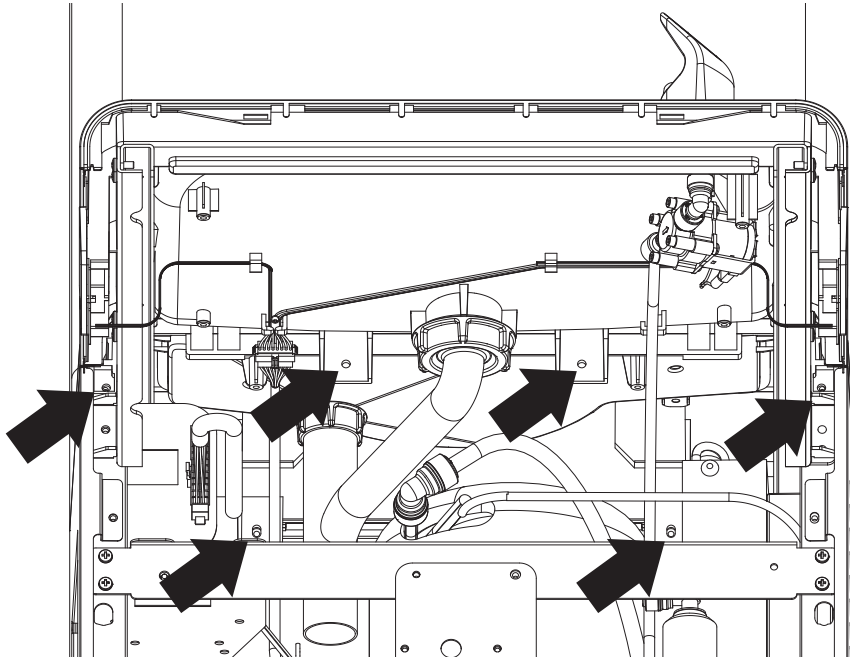
Remove the four screws that hold the plastic underside of the basin.



Configuration A to B

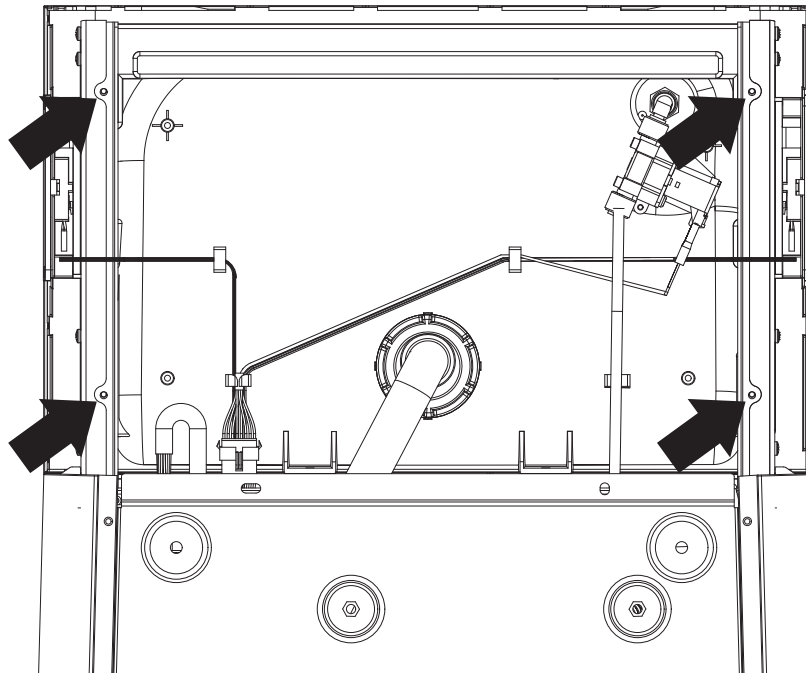
STEP
5

Remove the six screws that hold the plastic bottle filler to the frame. There are four along the front and two in the back.



STEP
6

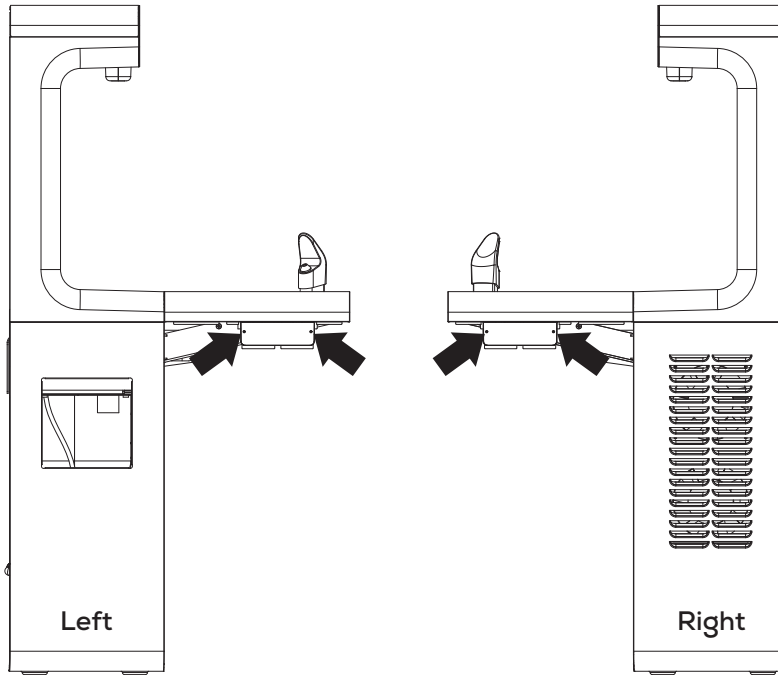
Remove the four screws that hold the basin to the steel frame. There are notches to help you locate them.



Configuration A to B

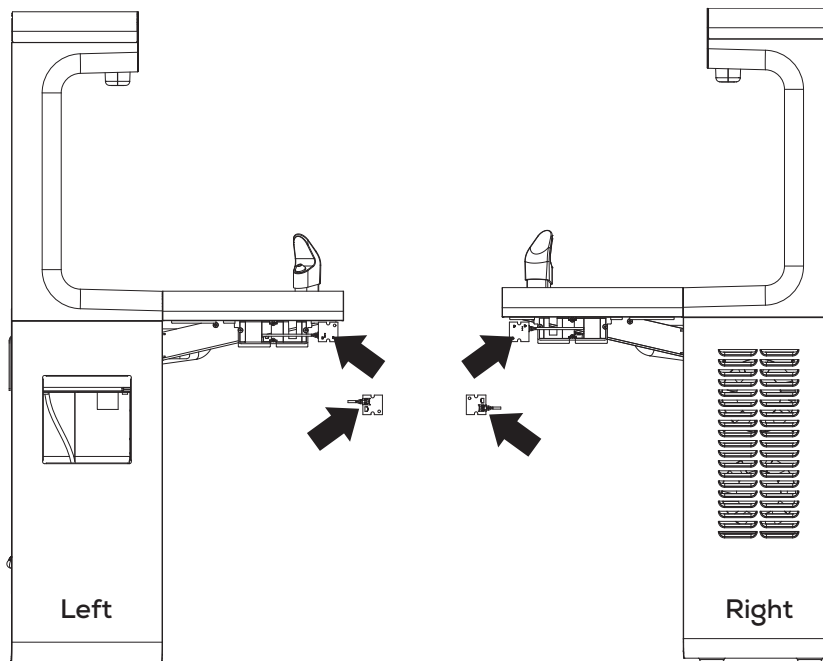
STEP
7

Remove both sensor lens by unscrewing the two screws that hold the lens in place.



STEP
8

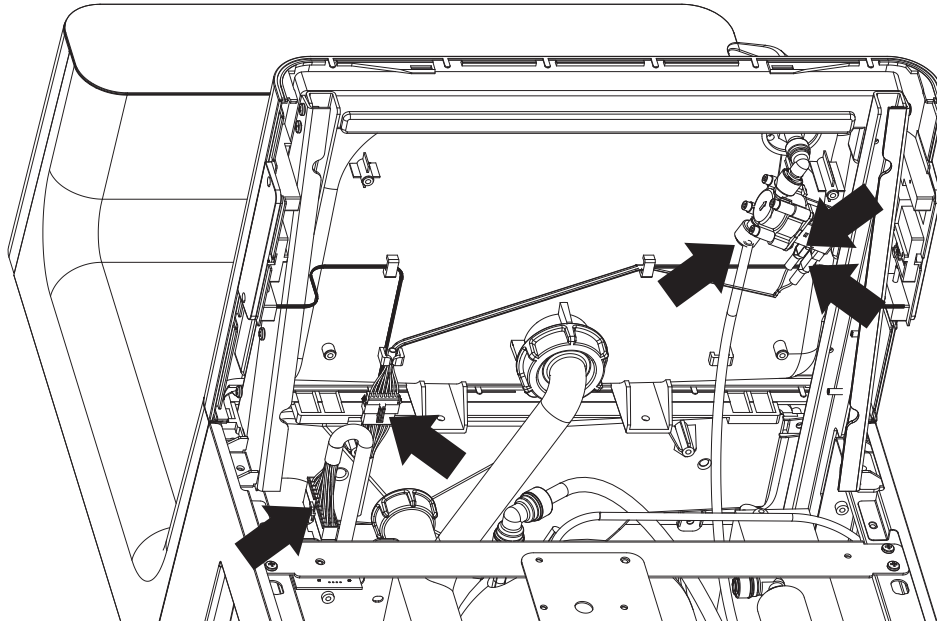
Unscrew and gently disconnect the IR sensors found on both sides.



Configuration A to B

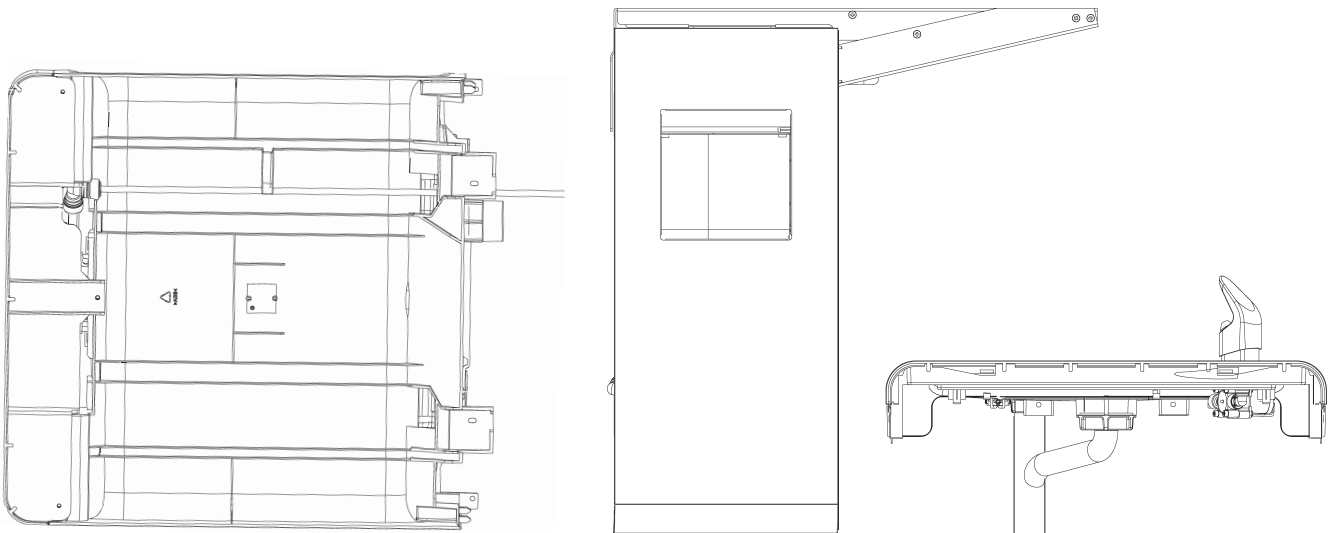
STEP
9

Disconnect the four electrical terminals and one 1/4" quick connection on the underside of the basin.



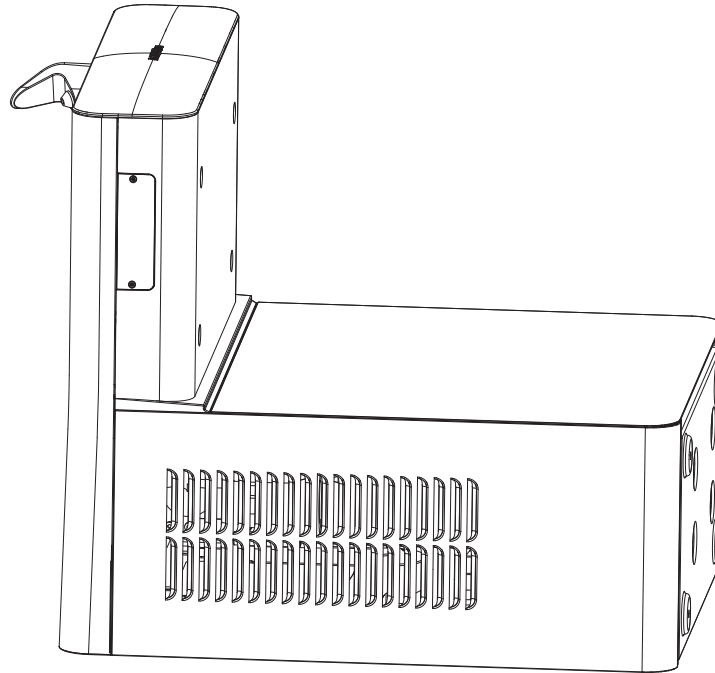
STEP
10

Gently pull the plastic bottle filler and basin off of the Main unit frame and stand the frame upright. **BE CAREFUL NOT TO PINCH OR PULL ANY WIRES OR TUBES.** Set the Main Unit Aside for now.

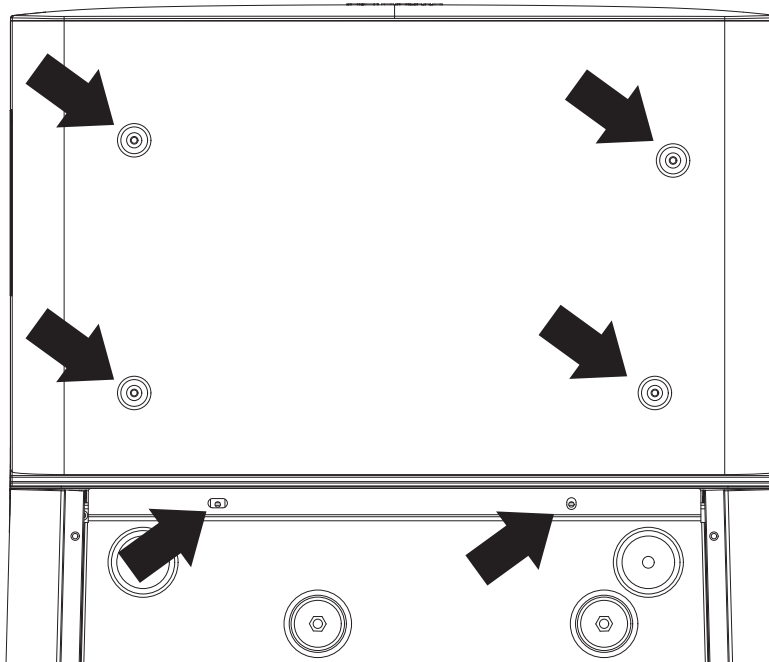


Configuration A to B

STEP 11 GENTLY TIP THE SHELL UNIT ONTO ITS BACK.



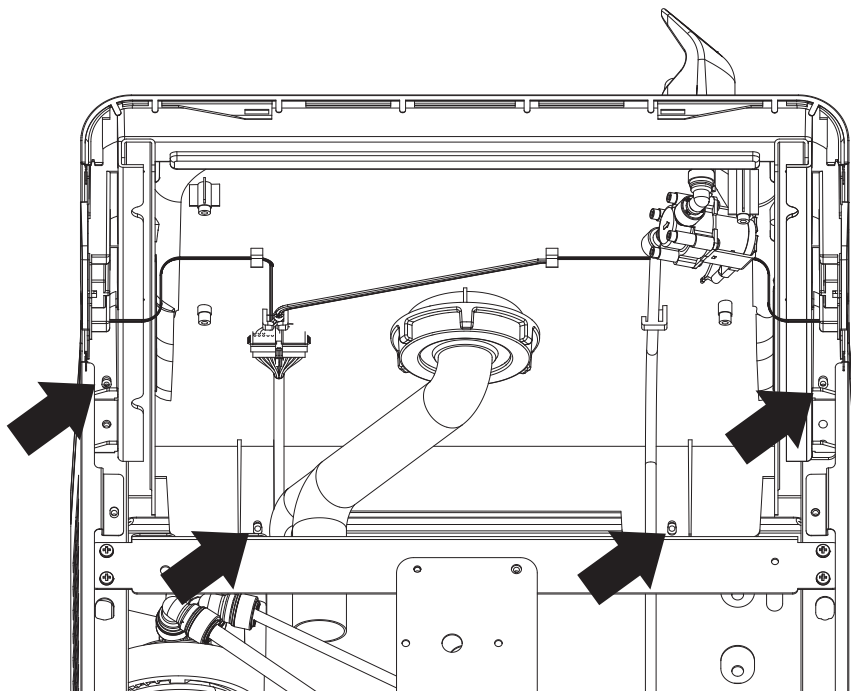
STEP 12 Remove the two screws that secure the front panel and the four screws that hold the plastic under side of the basin.



Configuration A to B

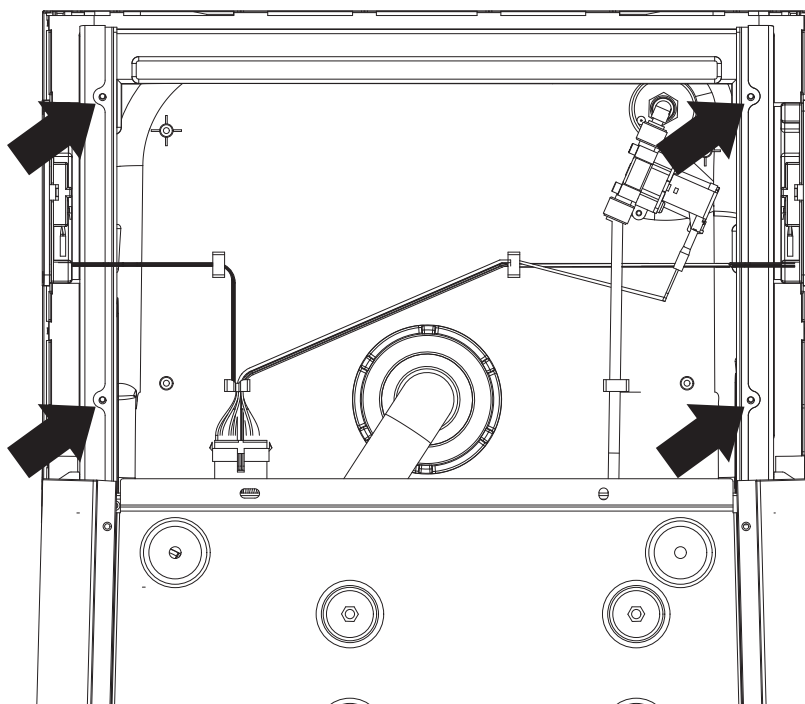
STEP
13

Remove the two screws that secure the basin to the back of the frame, and the two screws that secure the basin to the front of the frame.



STEP
14

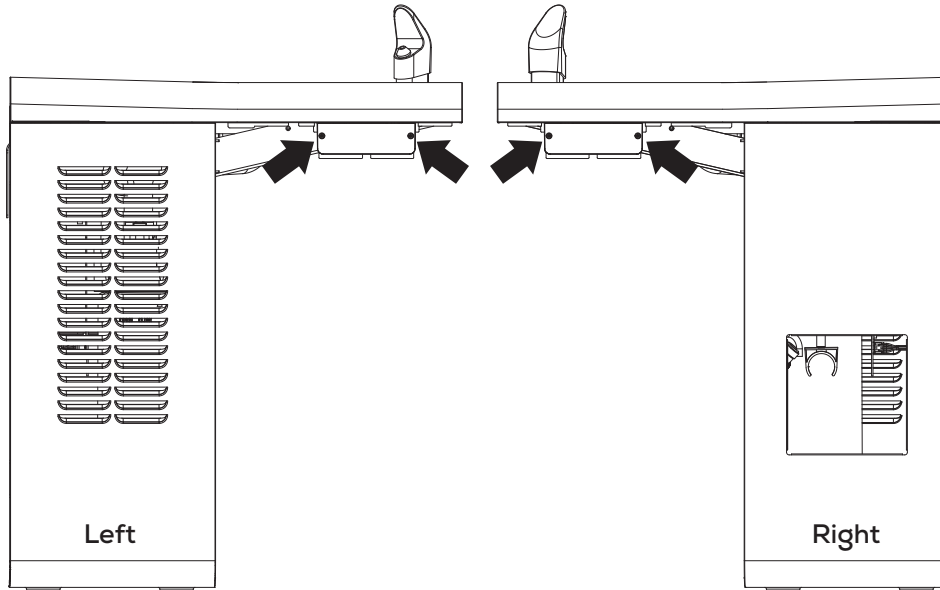
Now undo the four screws on the under side of the basin.



Configuration A to B

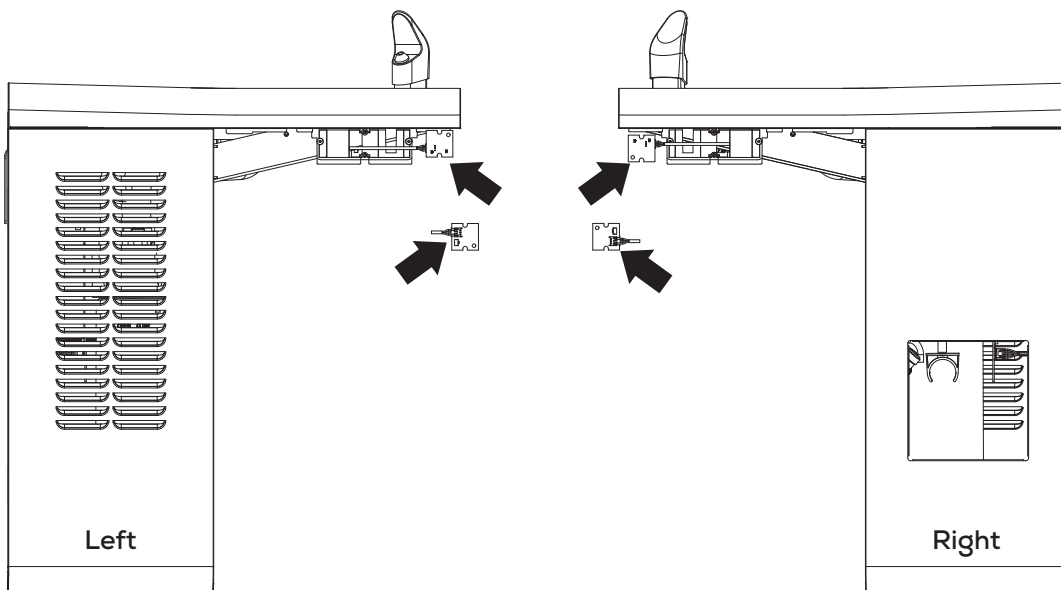
STEP
15

Remove both sensor lens by unscrewing the two screws that hold the lens in place.



STEP
16

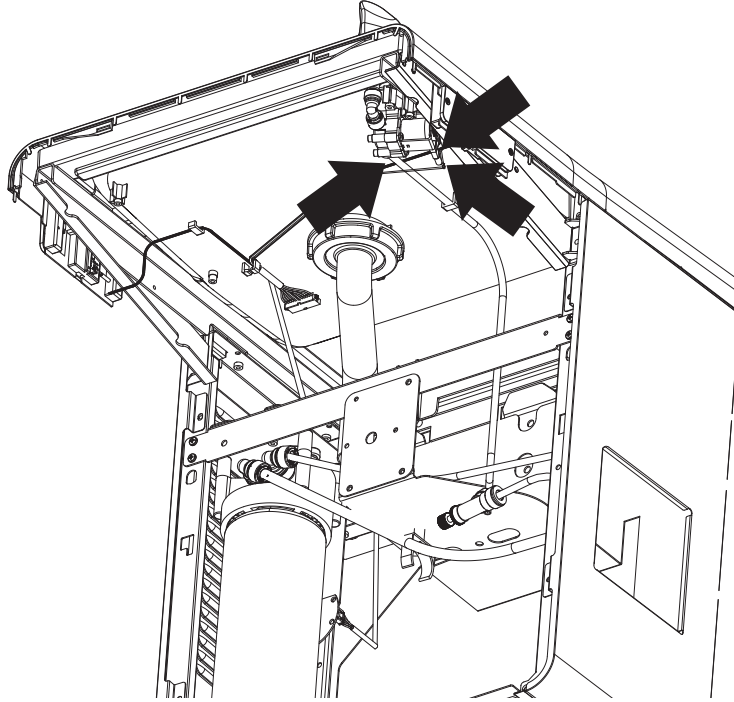
Unscrew and gently disconnect the IR sensors found on both sides.



Configuration A to B

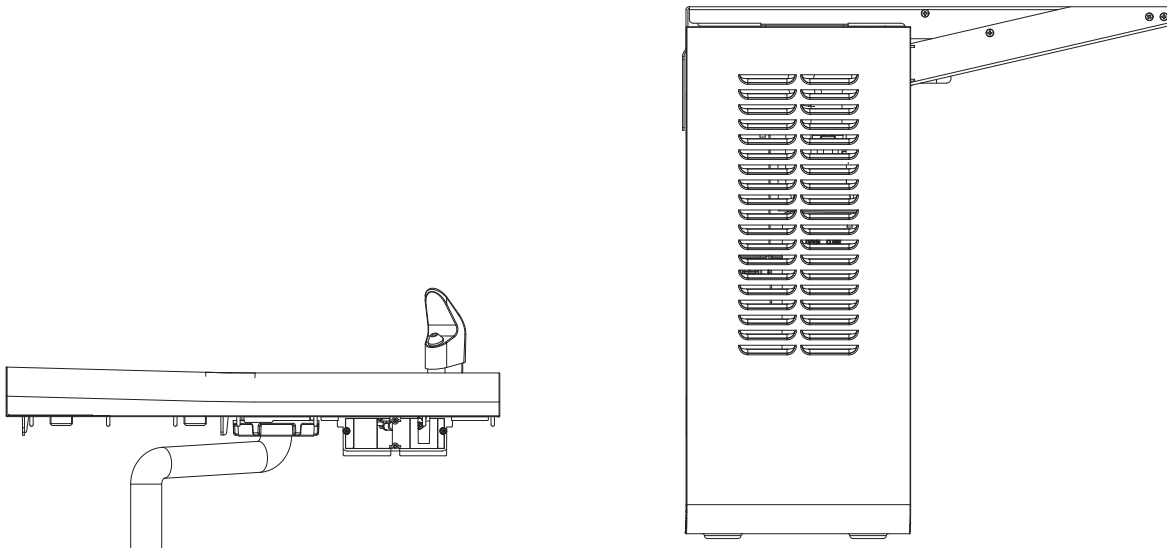
STEP
17

Disconnect three electrical connections and the tubing connected to the back of the solenoid.



STEP
18

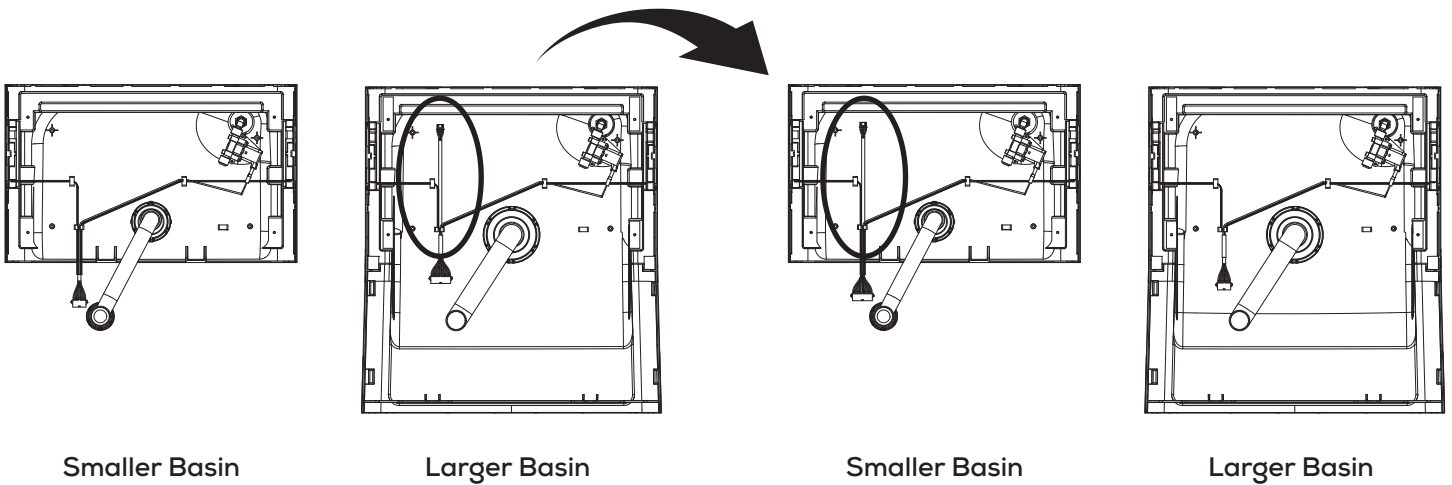
Gently pull the basin off of the Shell Unit Frame and stand the frame upright.
BE CAREFUL OF ANY WIRES OR TUBES.



Configuration A to B

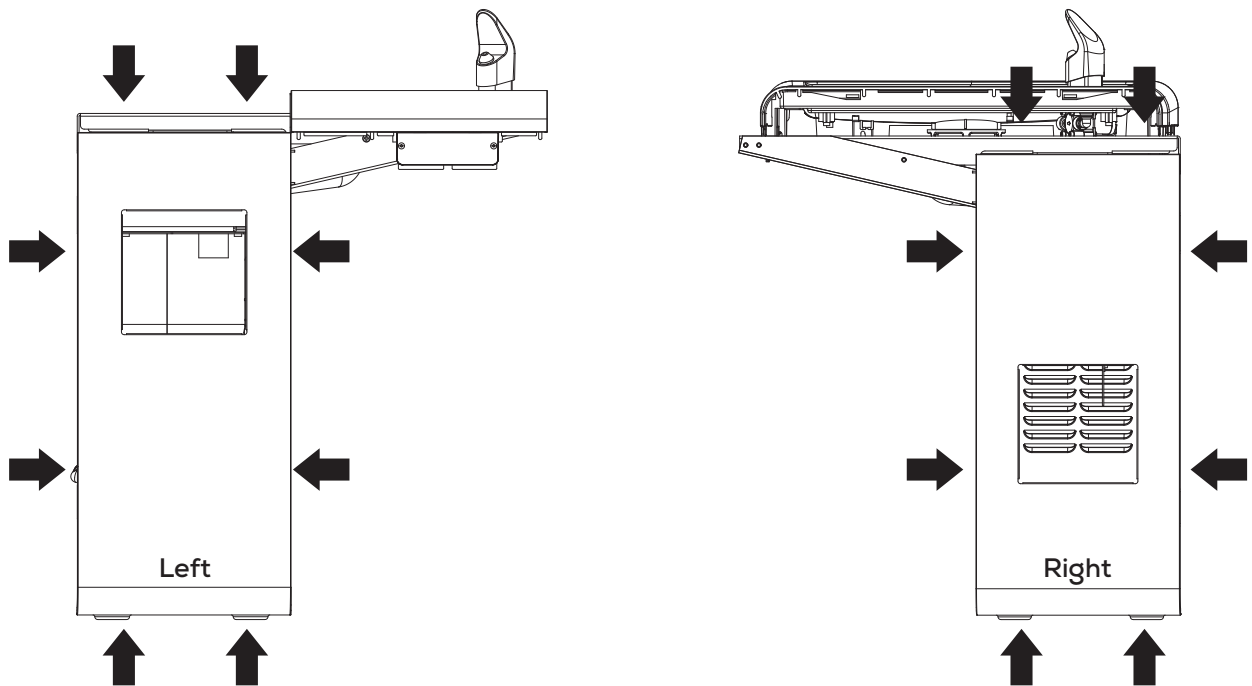
STEP 19

Gently remove the wire harnesses from the cable management clips and exchange them. The harness with the larger connector should now be on the smaller basin.



STEP 20

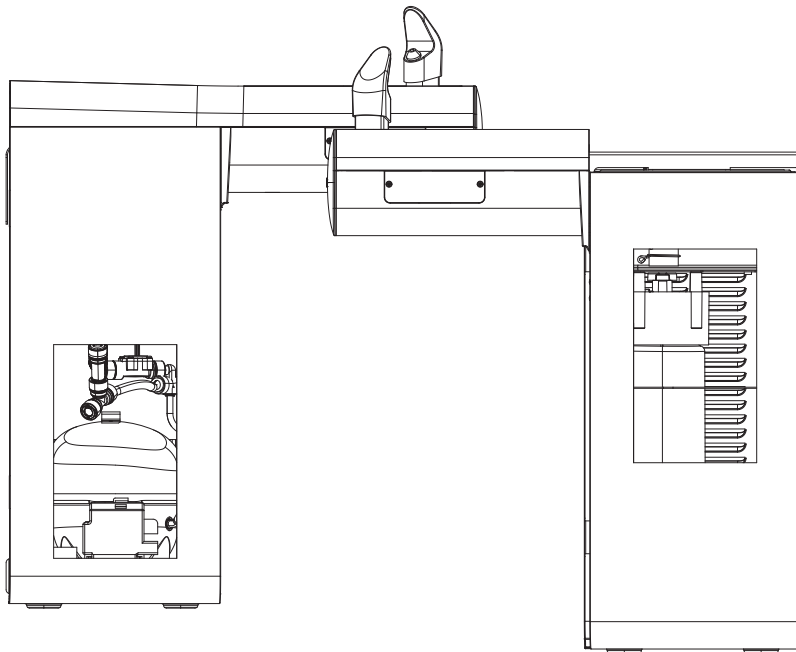
Now undo the sixteen screws holding both side panels. There are eight screws on each half of the unit. Two on top, two on the bottom, and two on each side.



Configuration A to B

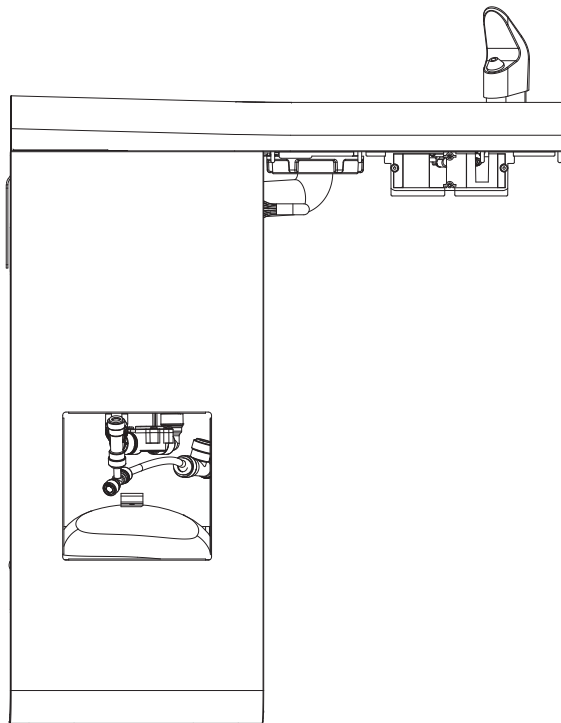
STEP
21

Swap the side panels so that the side panel on the Main unit with the compressor has its hole lower than the one on the shell unit. Replace all sixteen flanged screws.



STEP
22

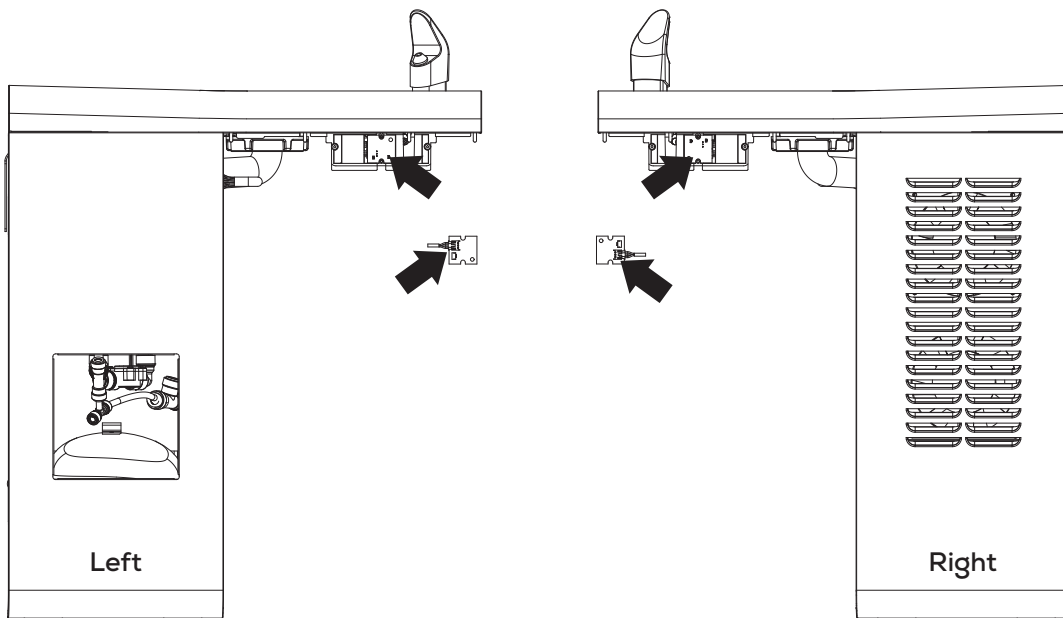
Place the Large Basin on the unit with the compressor being careful of any tubing or wires as you line up the mounting tabs.



Configuration A to B

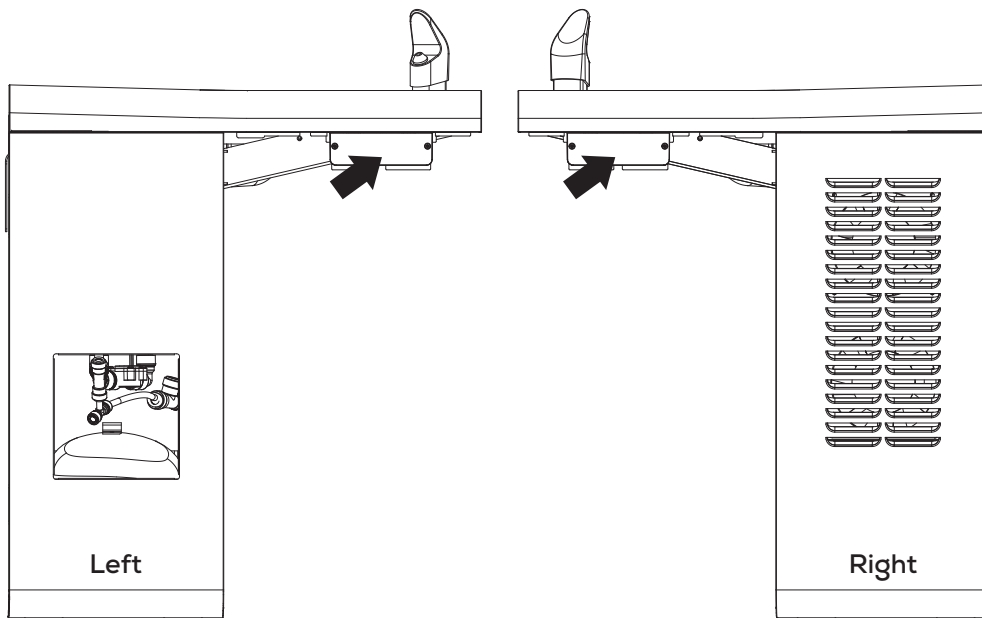
STEP
23

Replace two sensor PCB of the units frame and plug-in connectors.



STEP
24

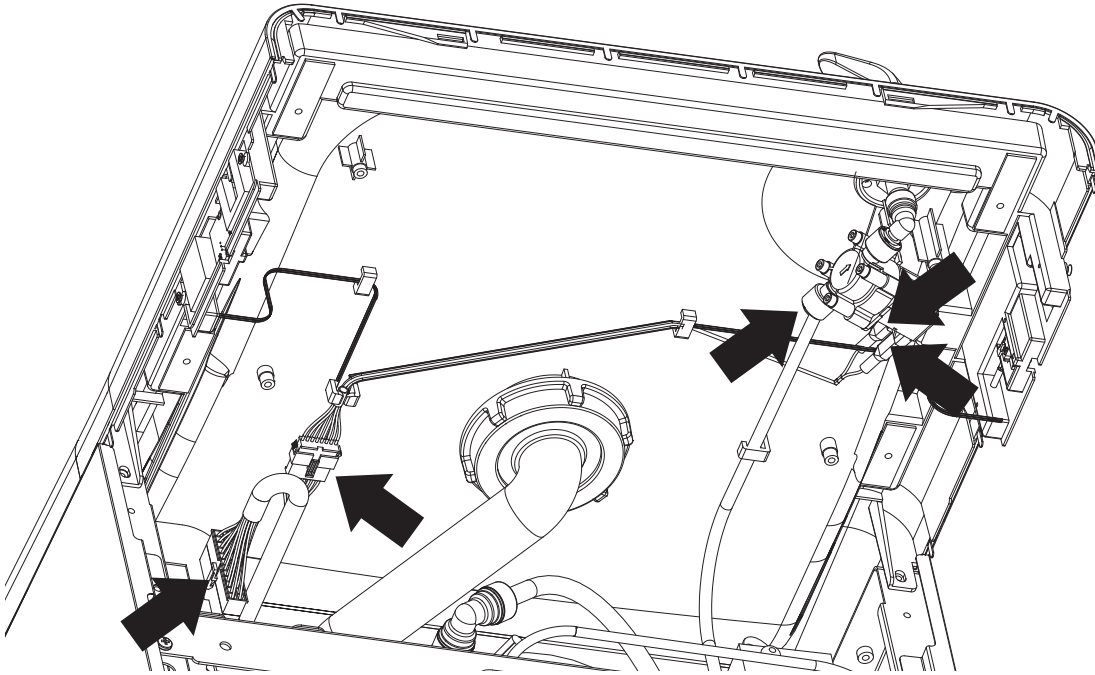
Replace the two sensor lens and use the small countersunk screws to secure.



Configuration A to B

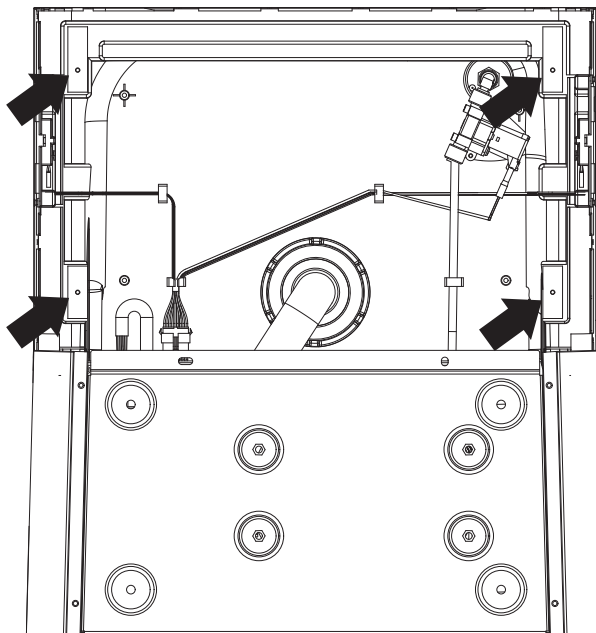
STEP
25

Reconnect the four electrical connectors and insert the 1/4" Nylon tube back into the Solenoid.



STEP
26

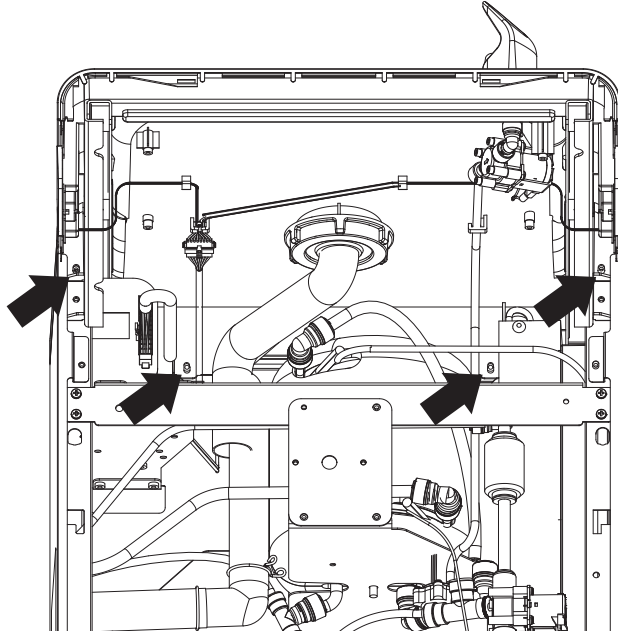
Replace the four button-headed screws that secure the basin to the frame.



Configuration A to B

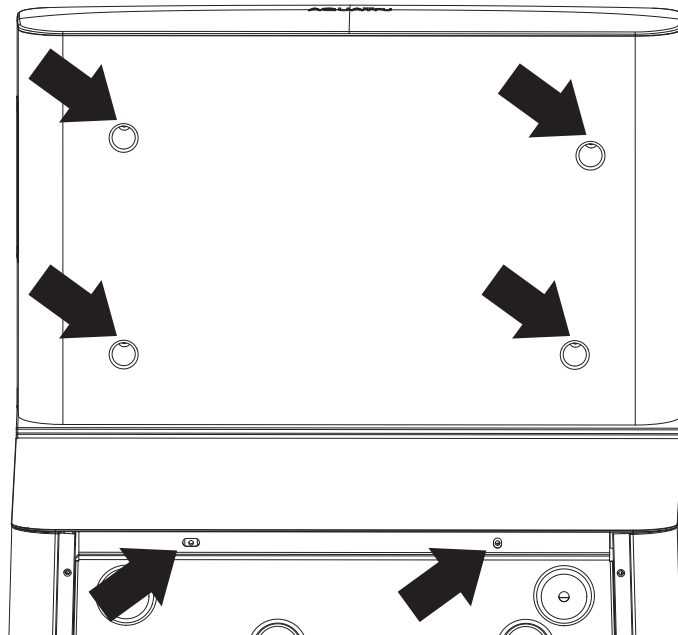
STEP
27

Replace the two screws located inside the back of the unit.
Replace the two screws at the front of the frame.



STEP
28

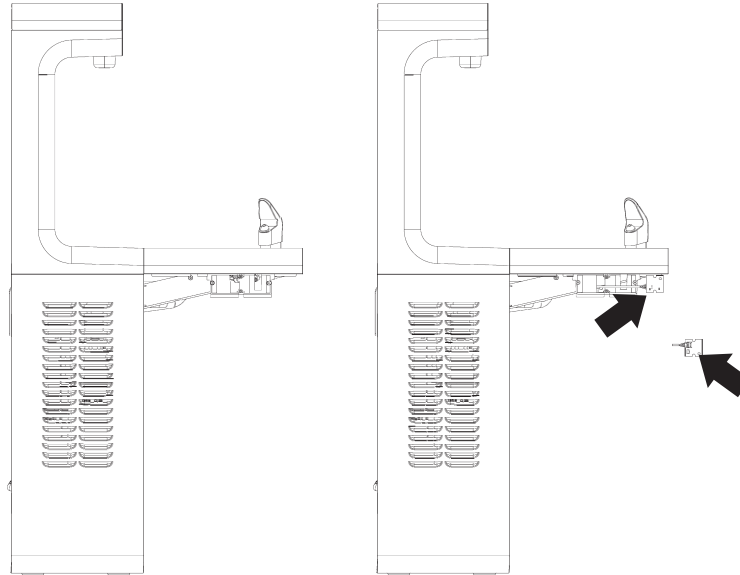
Replace the basin underside and secure it with four button-headed plastic screws.
Replace the front panel and secure it with two flanged screws.



Configuration A to B

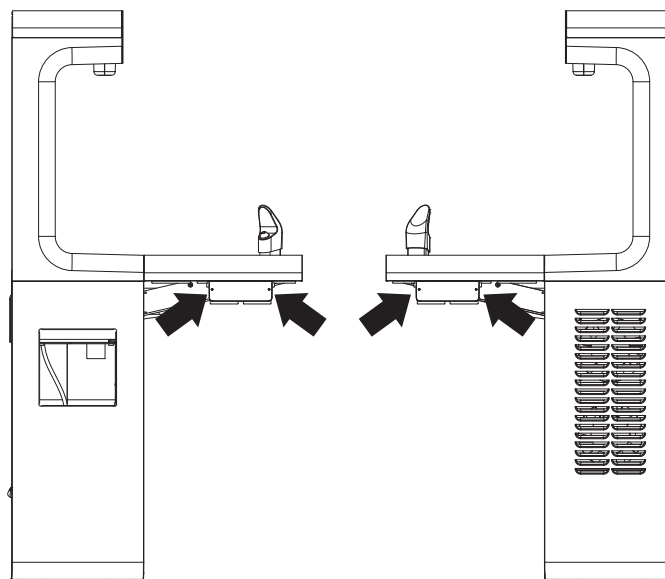
STEP
29

Go back to the **SHELL** Unit (the unit without the compressor). Place the plastic bottle filler and the small basin onto the shell unit.



STEP
30

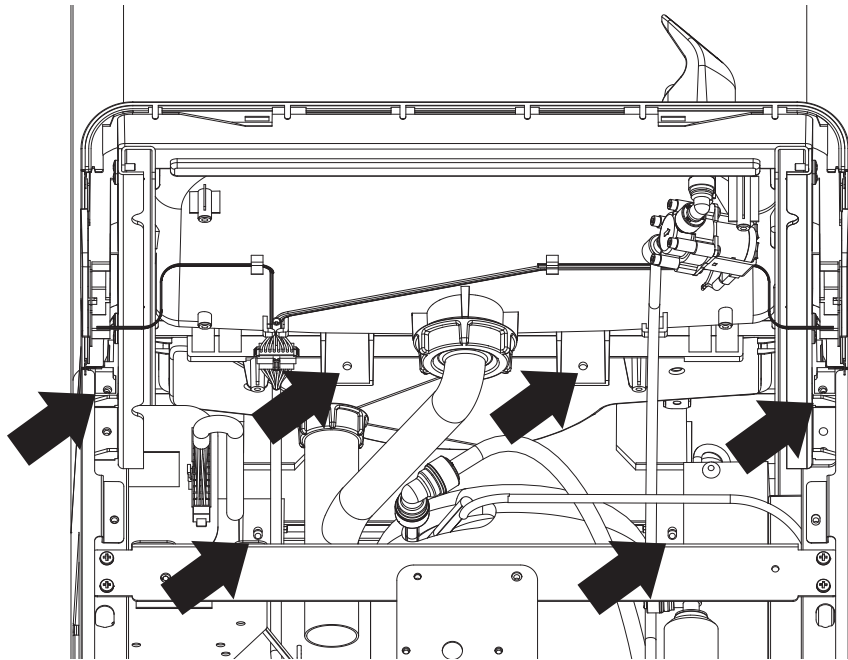
Be careful not to pinch any tubing or wires. Replace two sensor PCB of the units frame and plug in the connectors. Replace the two sensor lens and use the flanged screws secure.



Configuration A to B

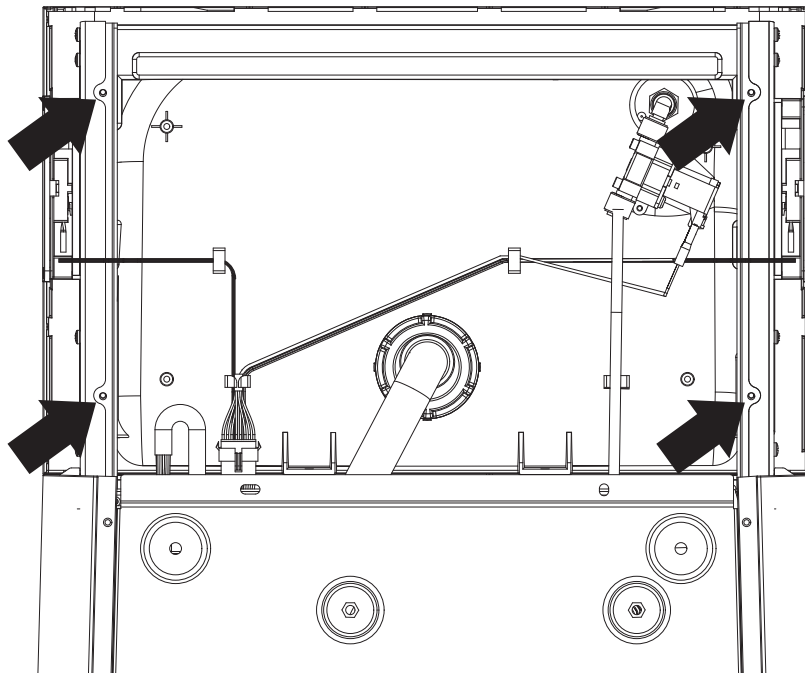
STEP
31

Replace the six screws that hold the plastic bottle filler to the frame. There are four along the front and two in the back.



STEP
32

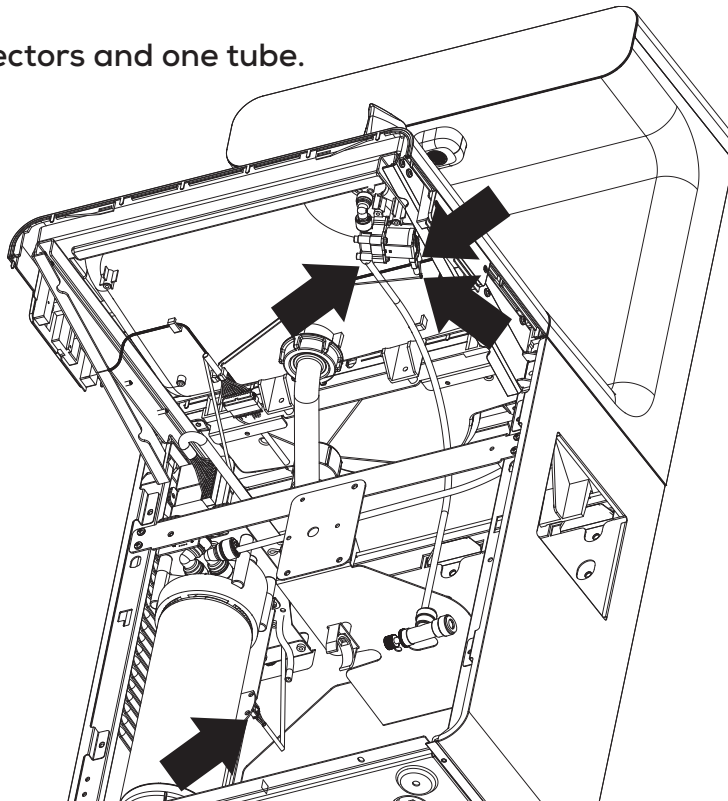
Now replace the 4 button headed screws that hold the Small Basin to the frame.



Configuration A to B

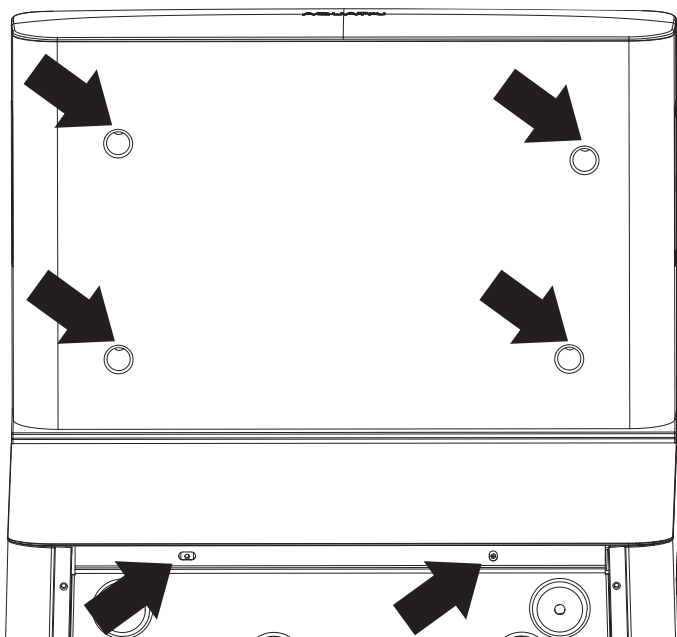
STEP
33

Replace five connectors and one tube.



STEP
34

Replace the four button-headed plastic screws that hold the plastic basin underside and the two flanged screws that secure the front cover.



Configuration A to B
