



# AQUATru<sup>®</sup>

BY IDEAL LIVING

## On-Wall Bottle Filling Station


### Owner's Manual

Please Read and Save these Instructions

# Table of Contents

---

<b>READ BEFORE USE - Warnings and Safety Information</b>	<b>2</b>
<b>System Specifications</b>	<b>5</b>
<b>System Dimensions</b>	<b>6</b>
<b>Main Parts</b>	<b>7</b>
<b>Packing List</b>	<b>9</b>
<b>Tools and Supplies</b>	<b>10</b>
<b>Installation Guide</b>	<b>11</b>
<b>Filter Replacement Instructions</b>	<b>15</b>
<b>Control Panel</b>	<b>17</b>
<b>Service</b>	<b>18</b>
<b>Service: Wiring Diagram</b>	<b>19</b>
<b>Error Codes</b>	<b>19</b>
<b>Warranty Information</b>	<b>20</b>
<b>Arbitration Agreement</b>	<b>21</b>
<b>Main Parts - SKU Listing</b>	<b>23</b>



## Read Before Use

### **WARNING:**

**To avoid product or property damage, personal injury, or even possible death, carefully read, understand, and follow all the instructions in this installation and User Manual before installing this product. Save this manual.**

**Improper installation of this product could cause a dangerous situation that results in injury or death.**

**Manufacturer highly recommends a licensed plumber perform installation of product to avoid risk of damages not covered by the warranty.**

**Do not operate power tools unless you read and understand the instructions and warnings in this and all other applicable labels or manuals. Proper use of tools and the products described in this guide is your responsibility.**

**Failure to follow these instructions could result in personal injuries, water damage, and other damage to floors, pipes, walls, and other portions of your building or home.**

**Any and all refrigeration system components found inside this device must be serviced by authorized personnel only.**

**Take care when moving or handling this device. Damage to this system can cause refrigerant to leak.**

#### **Disclaimer:**

The information contained in this Installation and User Manual is given free of charge. It is based upon technical data which we believe to be reliable and is intended for use by persons having knowledge of this technical area at their own discretion and risk. AquaTru assumes no responsibility for results obtained or damage incurred from the use of this material either in whole or in part by the buyer.

# Read Before Use

## WARNING:

**You must read and understand the contents of this manual before installing or operating your drinking system. These warnings indicate a potentially hazardous situation which, if not avoided, could result in serious injury or death. Follow all instructions related to the installation and/or maintenance of this product (unit).**

- Always consult with local plumbing and building regulations for installation.
- This device uses only 120V 60hz AC Power.
- Keep all ventilation clear of obstructions.
- Use only with an outlet protected by a ground fault interrupt device.
- Do not use a power strip or extension cord
- Service should be completed only by a certified technician.
- Do not use the device in conditions outside of the listed operational parameters.

### Personal Protection

Be sure to use all personal protective equipment, such as sturdy safety glasses, work shoes, hearing protection, and gloves, whenever necessary, to ensure your own safety while installing the water cooler.



To avoid eye injury, always wear protective glasses with side shields when using power tools. Also, make sure no one else can be injured by flying particles when using power tools.



To prevent possible damage to your hearing, always wear ear protection, such as earmuffs or earplugs when using power tools.



This product is heavy and can cause bodily injury due to its weight or if the unit is dropped. Use two people to lift the product when unpacking the unit or installing it onto the hanger brackets. Wear protective gloves during installation to protect against sharp edges from sheet metal components.



### Lifting Hazard

To avoid personal injury, always use these proper lifting techniques and use two people to move heavy cartons.



Use appropriate lifting devices to move the load.

Always use two people when lifting heavy or bulky cartons.



DO NOT attempt to lift objects that are too heavy.

### Power Tool Hazard

To prevent personal injury or possible death, always follow the electrical safety recommendations of the power tool's manufacturer.



Do not use power tools in an unsafe manner.

Power tools should only be connected to a circuit protected by a ground-fault circuit interrupter (GFCI).

If an extension cord is required, always use an OSHA approved extension cord.



# Read Before Use

## Shock and Electrocution Hazards



Failure to follow these instructions could result in severe burns, significant injuries, and even death. Water will conduct electric current to create a short circuit, resulting in injury or death. If the electrical cord is damaged, it must be replaced by the manufacturer, its service agents, or a similarly qualified person to avoid hazard.

- Never use electric power tools around water or wet floors/surfaces.
- Keep all liquids away from electrical cords and power tools.
- If an extension cord is required, always use an OSHA approved cord.



DO NOT create a short circuit between a source of electricity and a liquid by being in contact with both simultaneously. Contacting live electrical wiring with power tools or hand tools can cause serious injury or death.



Prior to installation, make sure all related circuit breakers are turned OFF.



Test for live circuits or wiring inside any wall where installation of the product requires cutting into a wall.

Prior to any maintenance, make sure the unit is unplugged and circuit breakers are turned OFF.



Prior to installation, test for live circuits or wiring inside the wall before cutting or drilling into the wall.

## Flammable Refrigerant



This device uses flammable refrigerant. To reduce the risk of fire or explosion, only dispose of in accordance to Federal and Local Regulations.

- To avoid either damaging the refrigerant tubing or increased risk of a leak, always take care and follow Local and Federal regulations while handling or moving the device.
- To minimize the risk of possible ignition due to incorrect parts or improper service, the components parts of the water cooler shall be replaced with like components and servicing shall be done by factory authorized personnel

## CAUTION:

These cautions indicate a potentially hazardous situation which, if not avoided, may result in minor or moderate injury.

- Follow all instructions related to installation and/or maintenance of this product.

### Tripping Hazard



Personal injury can result from tripping over power cords, tools, or other installation items.

- DO NOT leave items lying around the work area.

### Cutting Hazard



The installation of this product may require using power tools.

- Keep hands away from the cutting edge of any tool used in the installation of this product.
- Placing fingers in or around the cutting blades could result in serious personal injury.

# System Specifications

This system and its installation must comply with State and Local Regulations. Check with your Local Public Works Department for plumbing and sanitation codes. Local codes should be followed in the event the codes conflict with any content in this manual.

<b>Product Name</b>	AquaTru On-Wall Bottle Filler with Chlorine Filter
<b>Model #</b>	ATW-1-FAC
<b>Operating Pressure</b>	20 - 110 PSI
<b>Operating Temperature</b>	40 - 100 °F
<b>Rated Flowrate</b>	1 GPM
<b>Electrical Source</b>	120V/60Hz AC
<b>Max Rated Current</b>	6.5A
<b>Refrigerant</b>	R290
<b>Refrigerant Weight</b>	50g
<b>Refrigerant LFL</b>	0.038kg/m <sup>3</sup>
<b>Dimensions</b>	18.5" W × 9.5" D × 39.4" H
<b>Number of Stations Served</b>	1
<b>Installation Location</b>	Indoors or outdoors if fully covered

# System Dimensions

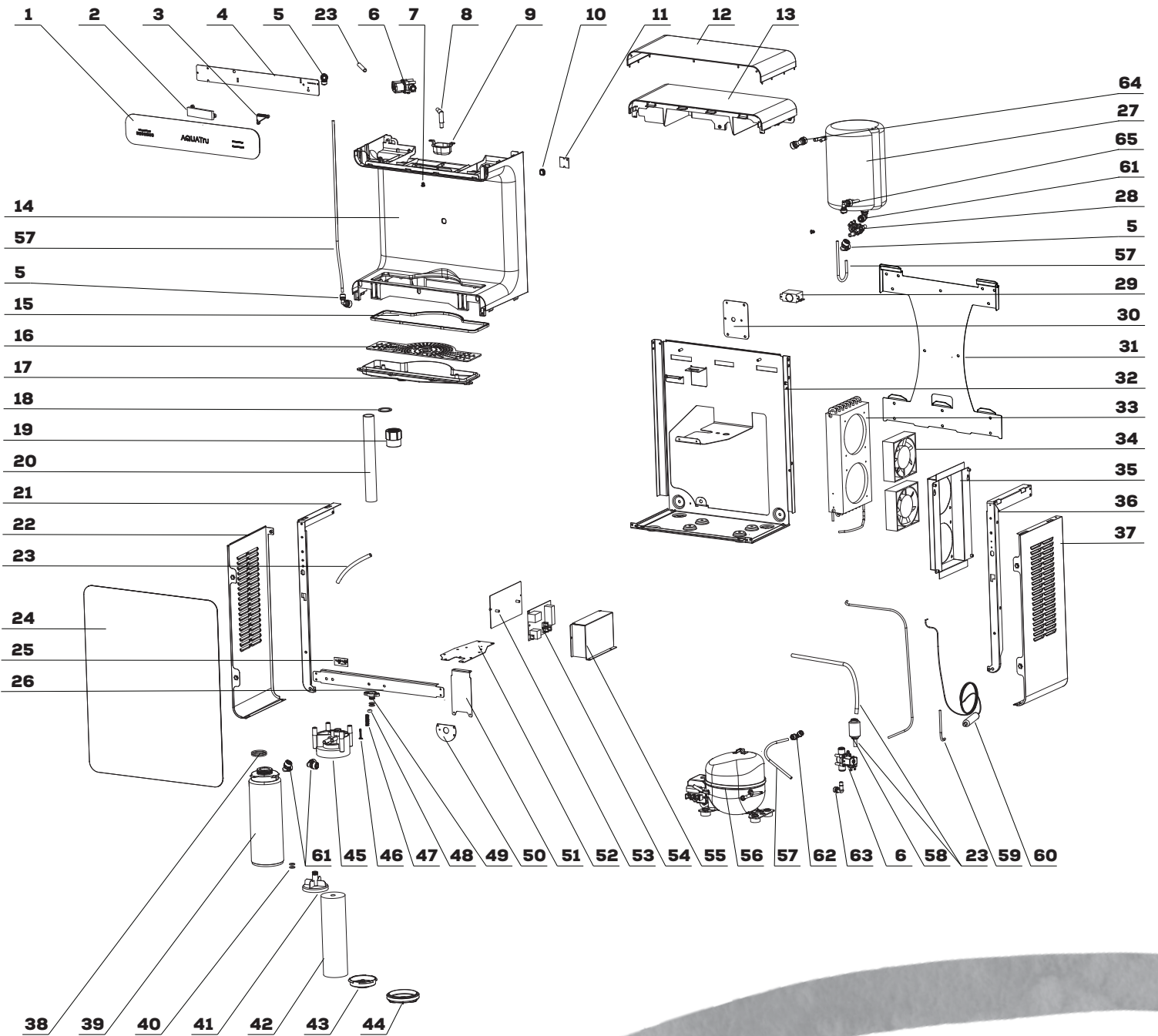


## Main Parts

---

- |   |  |
|---|--|
| <b>1</b> Control Panel                            | <b>34</b> Fan                                      |
| <b>2</b> Display Guide                            | <b>35</b> Fan Cowling                              |
| <b>3</b> Light Cover                              | <b>36</b> Right Frame                              |
| <b>4</b> Screen PCB                               | <b>37</b> Right Cover                              |
| <b>5</b> Elbow Connector 1/4" to 3/8"             | <b>38</b> Big O-ring                               |
| <b>6</b> Solenoid Valve                           | <b>39</b> Filter Sump                              |
| <b>7</b> Dispenser Insert                         | <b>40</b> Small O-ring                             |
| <b>8</b> Dispensing Tube                          | <b>41</b> Carbon Top Cap                           |
| <b>9</b> Dispenser Tube Cover                     | <b>42</b> Carbon Block                             |
| <b>10</b> Sensor Lens                             | <b>43</b> Carbon End Cap                           |
| <b>11</b> Bottle Sensor                           | <b>44</b> Filter End Cap                           |
| <b>12</b> Dispenser Top                           | <b>45</b> Filter Manifold                          |
| <b>13</b> Bottle Dispenser                        | <b>46</b> Valve Stem                               |
| <b>14</b> Bottle Dispenser                        | <b>47</b> Spring                                   |
| <b>15</b> Drip Tray Gasket                        | <b>48</b> Flow Wiper                               |
| <b>16</b> Drip Tray                               | <b>49</b> Flow Wiper Cover                         |
| <b>17</b> Drain Basin                             | <b>50</b> NFC Reader                               |
| <b>18</b> Drain Tube Gasket                       | <b>51</b> NFC Reader Mounting Plate                |
| <b>19</b> 29mm x 11 TPI Threaded Insert for Drain | <b>52</b> Manifold Mounting Plate                  |
| <b>20</b> Drain Tube                              | <b>53</b> Control Board Mounting Plate             |
| <b>21</b> Left Frame                              | <b>54</b> Control Board                            |
| <b>22</b> Left Cover                              | <b>55</b> Control Board Cover                      |
| <b>23</b> 3/8" PE Pipe                            | <b>56</b> Compressor                               |
| <b>24</b> Front Cover Panel                       | <b>57</b> 1/4" PE Pipe                             |
| <b>25</b> Bottle Counter Reset Switch             | <b>58</b> Pressure Wiper                           |
| <b>26</b> Front Frame Brace                       | <b>59</b> Copper Pipe                              |
| <b>27</b> Evaporator (Water) Tank                 | <b>60</b> Refrigerant Filter and Capillary Tube    |
| <b>28</b> Flow Meter                              | <b>61</b> Elbow Connector 3/8" to 3/8"             |
| <b>29</b> Thermostat                              | <b>62</b> Elbow Connector 1/4" to 1/4"             |
| <b>30</b> Thermostat Mount                        | <b>63</b> Elbow Connector 1/4" Male to 3/8" Female |
| <b>31</b> Mounting Bracket                        | <b>64</b> Elbow Connector 5/16" to 3/8"            |
| <b>32</b> Back Cover                              | <b>65</b> 5/16" to 3/8" Elbow Connector            |
| <b>33</b> Condenser                               |  |

# Main Parts



# Packing List

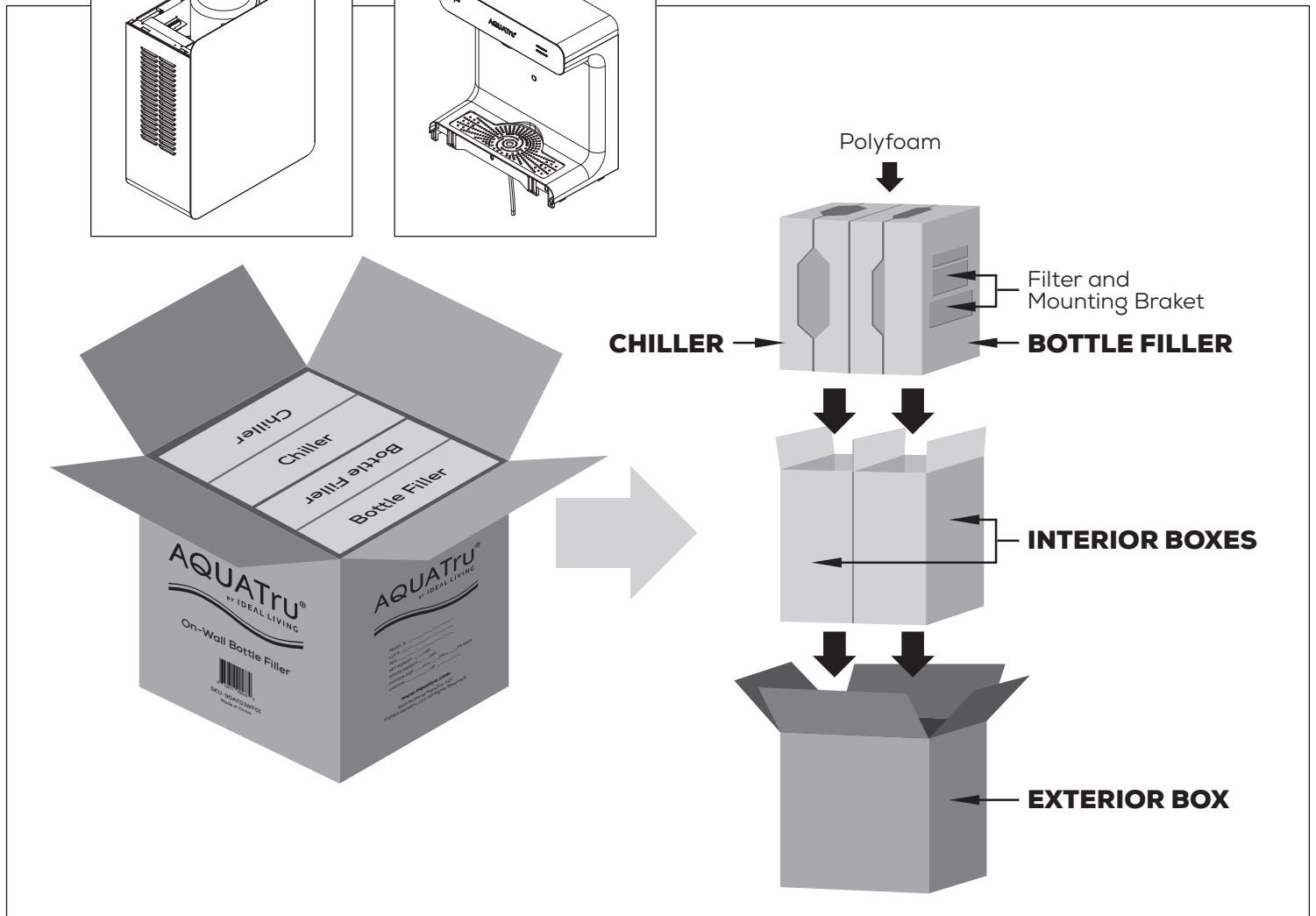
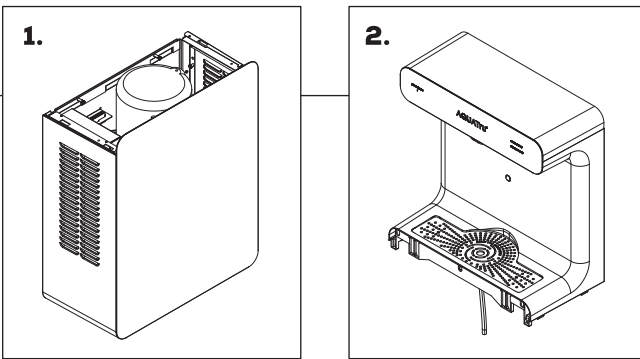
Inspect the **AquaTru On Wall Filtered Bottle Filling Station** for any shipping damage.

Handle all components of the system with care. Do not drop, drag, or turn unit upside down. Doing so can result in refrigerant leaks or other product damage and may result in unsafe operating conditions.

The manufacturer is not responsible for damages in transit. Small parts, needed to install the drinking system, are in a parts box. To avoid losing the small parts, keep them in the parts box until they are needed for installation.

## Package Contents:

- |   |   |
|---|---|
| <ol style="list-style-type: none"> <li>1. Main Body with Chiller Cabinet</li> <li>2. Bottle Filler</li> <li>3. Manual</li> <li>4. Filter</li> </ol> | <ol style="list-style-type: none"> <li>5. Drain Tube - Check the box for this part.</li> <li>6. Mounting Bracket</li> <li>7. Machine Screws - Check the box for these parts.</li> </ol> |
|---|---|



## Before Installation

- Check the accessories in the packing box and confirm everything is present.
- Shut off the water supply.
- Prepare the below list of tools and equipment needed for the installation.
- Shut Off the Electrical Breaker.

## Summary of Installation

1. Select system installation location.
2. Install filters.
3. Install T-adapter valve on water supply.
4. Install drain saddle and connect tubing.
5. Plug in the unit and open the water supply valve.
6. Flush Filters and tanks.

## Tools Needed for Installation

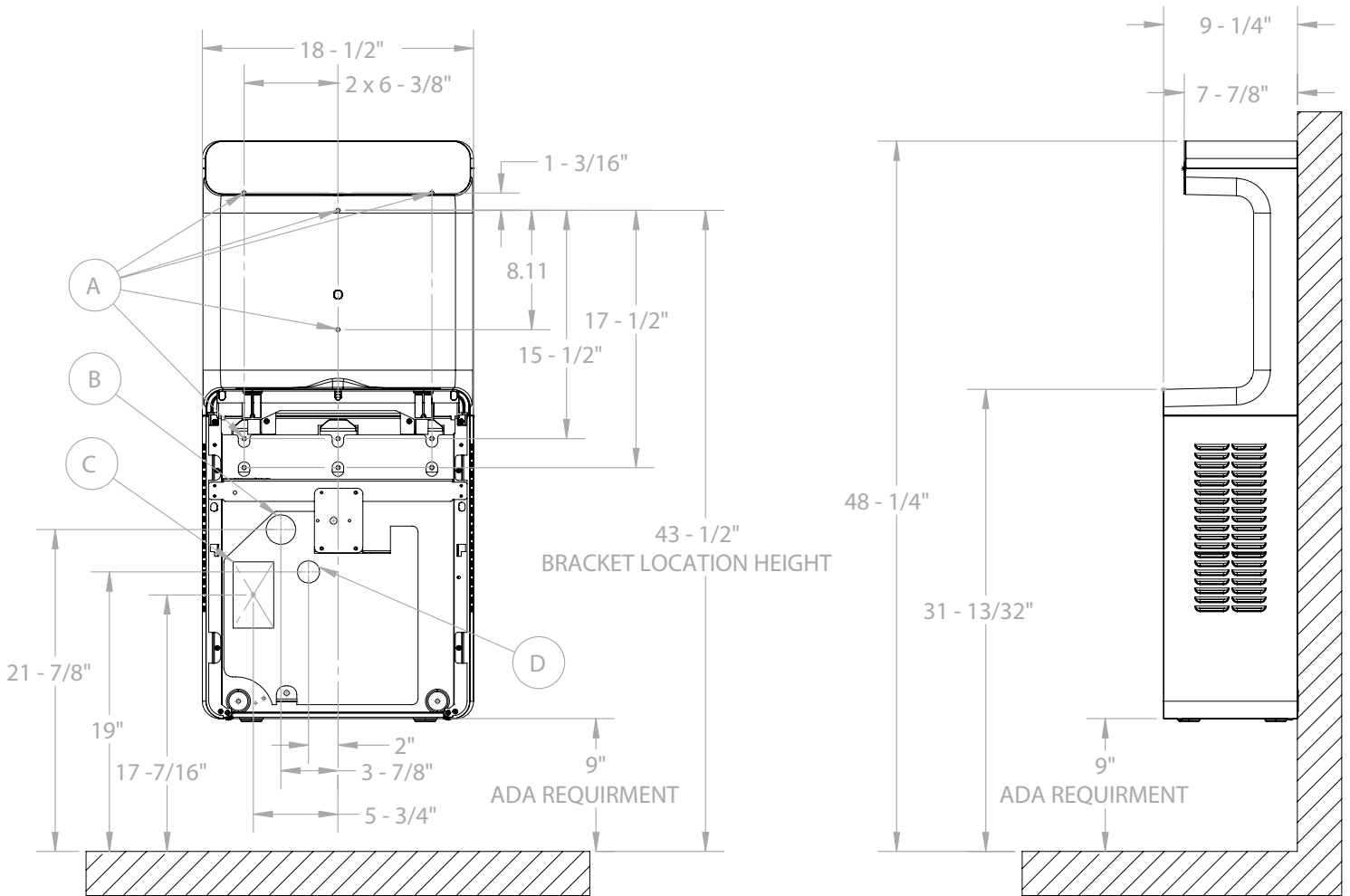
1. Tape Measure
2. Level
3. Power Drill
4. Adjustable Pliers
5. Adjustable Wrench
6. Hacksaw
7. Long Reach Screw Driver
8. T20 Driver
9. Tubing Cutters

## Components Required for Installation Not Included in the Box

1. Lag Screws and Wall Anchors appropriate for the location (Recommend 15 x 1/4" Diameter and 2 X 7/16" Diameter. Screws should be long enough to engage with at least 2" of the support structure)
2. Flat Washers
3. P-Trap with 1-1/4" inlet
4. Quarter Turn Shut-off Valve with angled 3/8" outlet
5. Flexible 3/8" tubing and 3/8" tubing Unions and Elbow Connectors



# Installation Guide



- MOUNTING BRACKET BOLT HOLES
- RECOMMENDED DRAIN LINE PLACEMENT
- RECOMMENDED ELECTRICAL SOCKET PLACEMENT
- RECOMMENDED WATER SUPPLY PLACEMENT

**NOTE: TO INSTALL DEVICE ACCORDING TO ADA REQUIREMENTS, DO THE FOLLOWING**

- LOCATE THE CENTER LINE OF THE INTENDED INSTALLTION LOCATION
- MEASURE UP  $26 - 1/8"$  FROM THE FLOOR AND SCRIBE A LINE. THIS LINE MARKS THE HEIGHT OF THE LOWER BOLT HOLES FOR THE HANGER BRACKET

**MANUFACTURER HIGHLY RECOMMENDS A LICENSED PLUMBER PERFORM INSTALLATION OF PRODUCT TO AVOID RISK OF DAMAGES NOT COVERED BY THE WARRANTY.**

**STEP 1** **Installation of Hanging Bracket**



- 1.1** Remove both halves of the Bottle Filler Unit from their boxes and organize your parts.
- 1.2** Determine the location you want to install the unit using the Installation Guide Drawing on the opposite page as a guide.
- 1.3** Based on the measurements in the installation guide find the center line of your installation and measure 43 - 1/2" up from the floor and make a marking. (This height is for ADA compliance; if you wish to mount the unit higher adjust this height.) (Refer to Fig 1A)
- 1.4** Attach one of your wall anchors. Pre-drill if needed for the material you are mounting on.
- 1.5** Hang the bracket on the anchor point you just installed. Level the bracket, then tighten the bolt to hold the bracket in place.
- 1.6** Being careful not to move the bracket out of level, mark all other mounting holes.
- 1.7** Remove the bracket from the wall and prepare the other anchor points in the method required for your mounting location and wall material.
- 1.8** Reinstall the bracket and install all needed fasteners. (Refer to Fig 1B)

Fig 1A

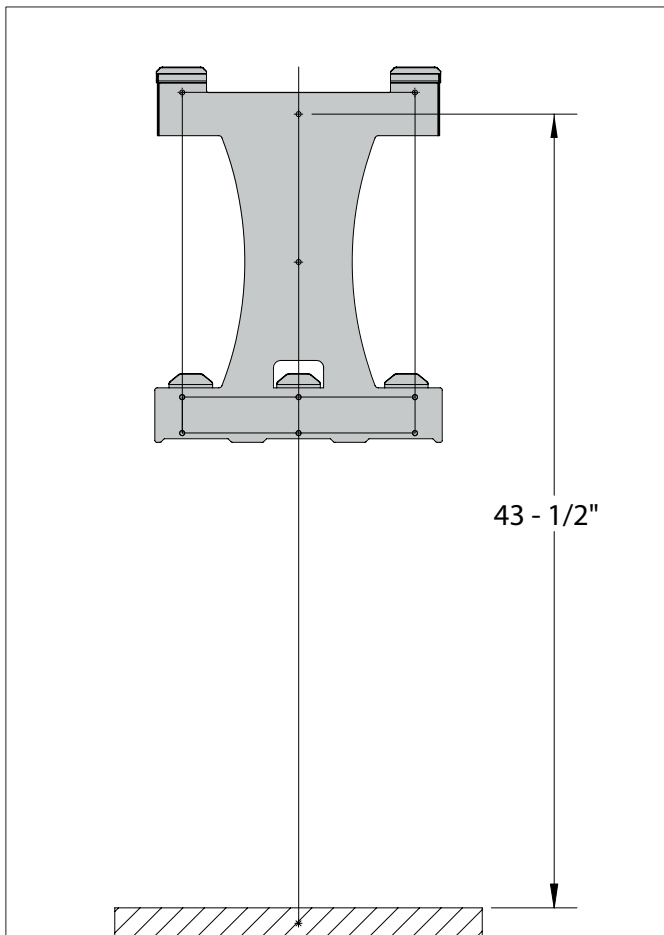
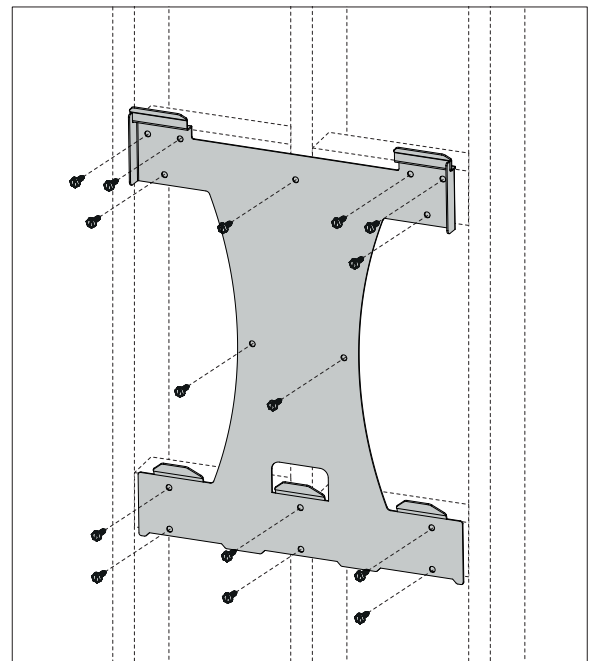


Fig 1B



STEP  
**2**

## Installation of Cooler

- 2.1** Hang the cooler unit on the bracket as shown in Fig 2A.
- 2.2** Remove the front panel by undoing the two T20 screws located just under the front panel. (Fig 2B)
- 2.3** Use the 2 wall anchor holes indicated in Fig 2C to securely attach the Chiller Cabinet to the wall.
- 2.4** Connect the water supply to the inlet solenoid. (Fig 2D)

Fig 2A

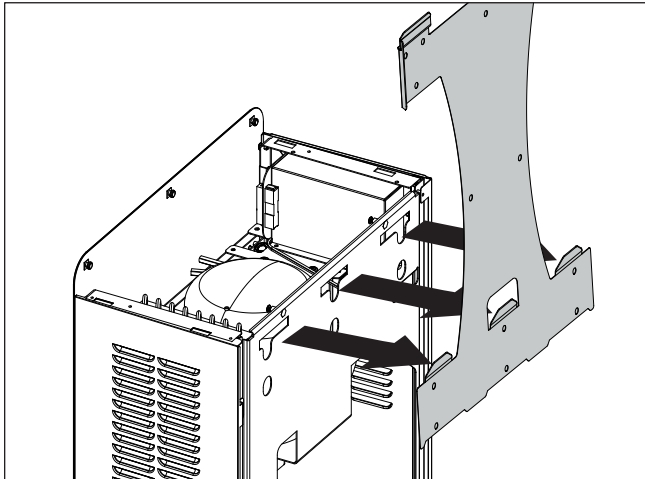


Fig 2B

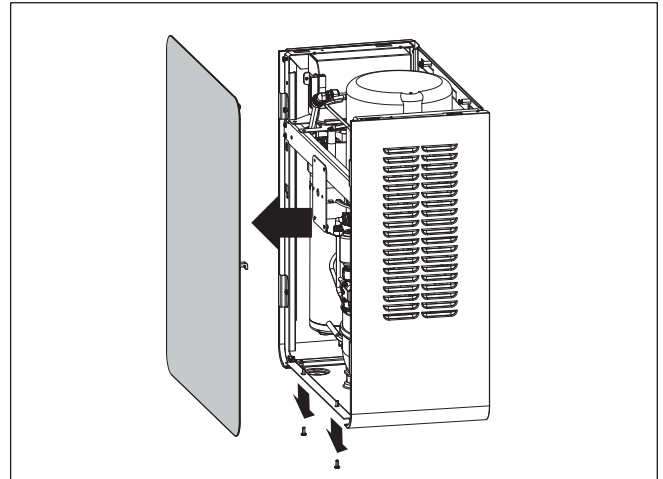


Fig 2C

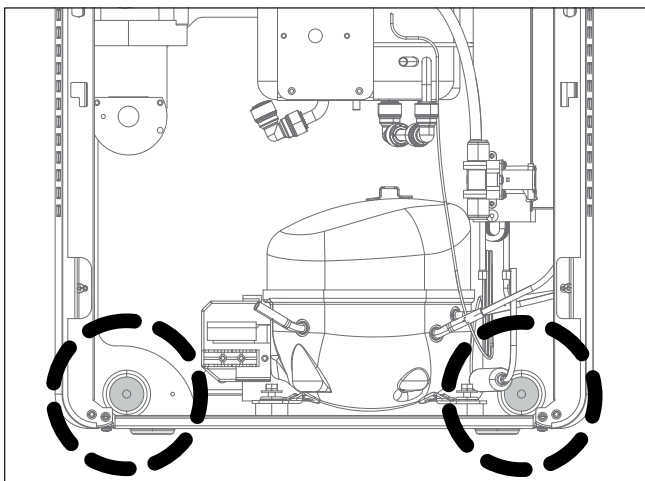
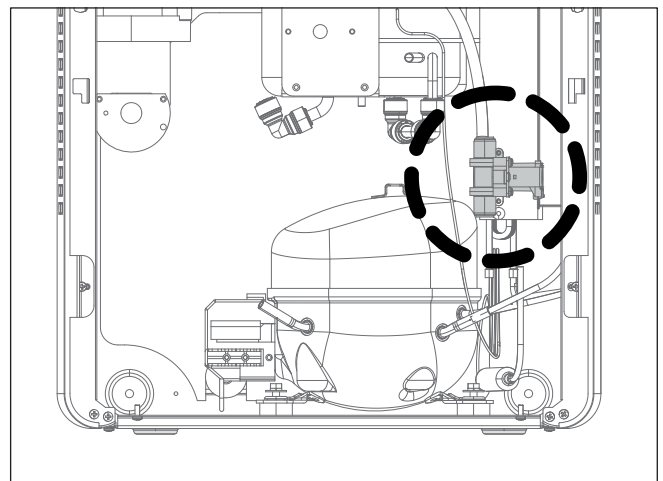


Fig 2D



**STEP  
3**

## Bottle Filler Installation

- 3.1** Place the Bottle Filler on top of the Cooler Cabinet, making sure the installation tabs line up with their respective holes and carefully route any electrical connectors and tubing through the Cooler Cabinet. (Refer to Fig 3A)
- 3.2** Make the plumbing connections to the Bottle Filler by finding the 1/4" to 3/8" Elbow Connector that you routed through the top of the unit in the previous step and connect it to the connector underneath the Tank shown in Fig 3B.
- 3.3** Make the electrical connection by plugging the two cable harness connectors together. (Shown in Fig 3C)
- 3.4** Bolt the Bottle Filler portion to the Chiller Cabinet. The attachment points are shown in Fig 3D. Two screws can be found on the front of the device and two can be found along the back wall of the Chiller Cabinet.
- 3.5** Locate the 12" long Drain Tube included in the box and screw it onto the threaded connector shown in Fig 3E.
- 3.6** Install your P-Trap. (This may require you to trim the Drain Tube to length.)
- 3.7** Remove the filter from its protective wrapping and quarter turn it into position. (Fig 3F)
- 3.8** Turn on the water supply and check for leaks.
- 3.9** Now Dispense water until the bottle counter reads 20. After you've done this, check again for leaks.
- 3.10** After you've flushed the filter and double checked there are no leaks in the system, reinstall the Front Panel and bolt it into place using the two screws on the bottom.

Fig 3A

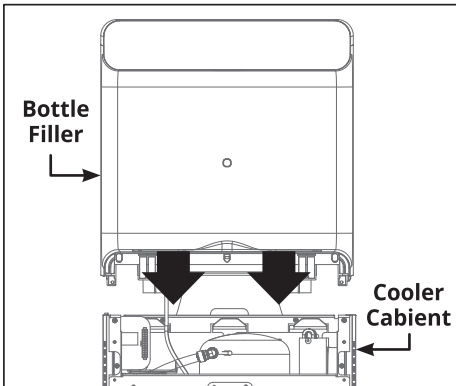


Fig 3B



Fig 3C

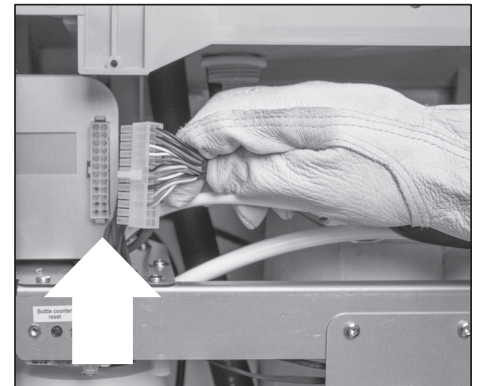


Fig 3D

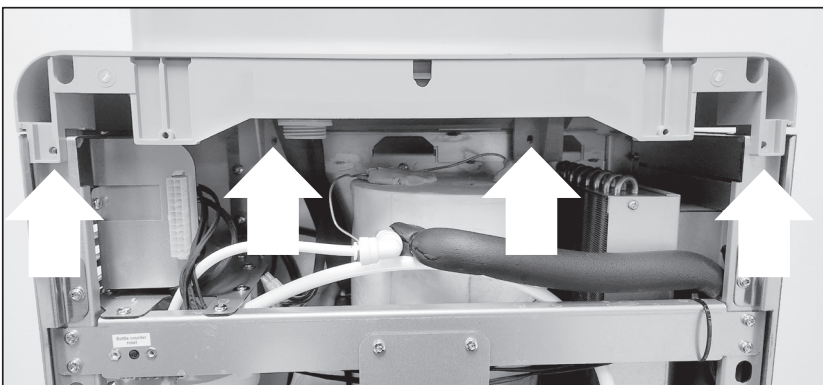


Fig 3E

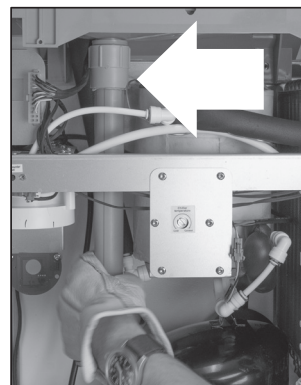


Fig 3F



# Filter Replacement Instructions

## Filter Replacement

1. Remove the Front Panel by undoing the two screws located under the leading bottom edge of the unit. Slide the panel up and then out. (Fig 1)
2. Remove the filter currently in the unit by unscrewing it from the manifold. (Fig 2)
3. Install a new filter. (The Filter Life Counter will be reset automatically.) (Fig 3)
4. Dispense water until the bottle counter has increased by 20.
5. Replace the Front Cover. (Fig 4)

Fig 1

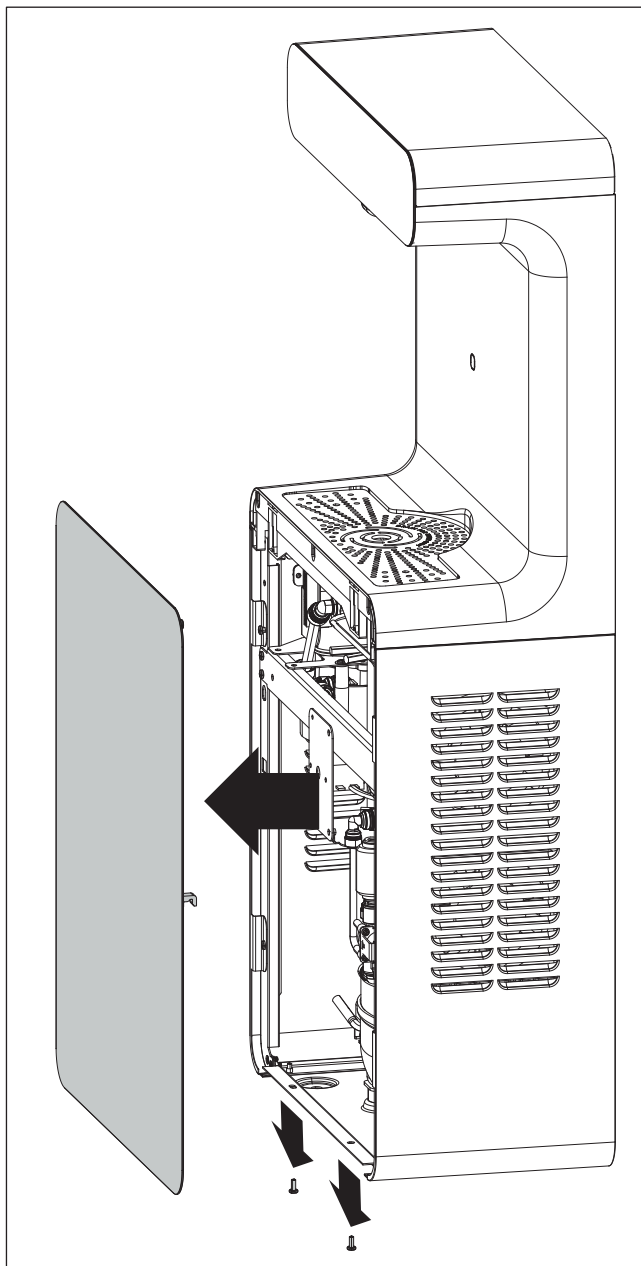
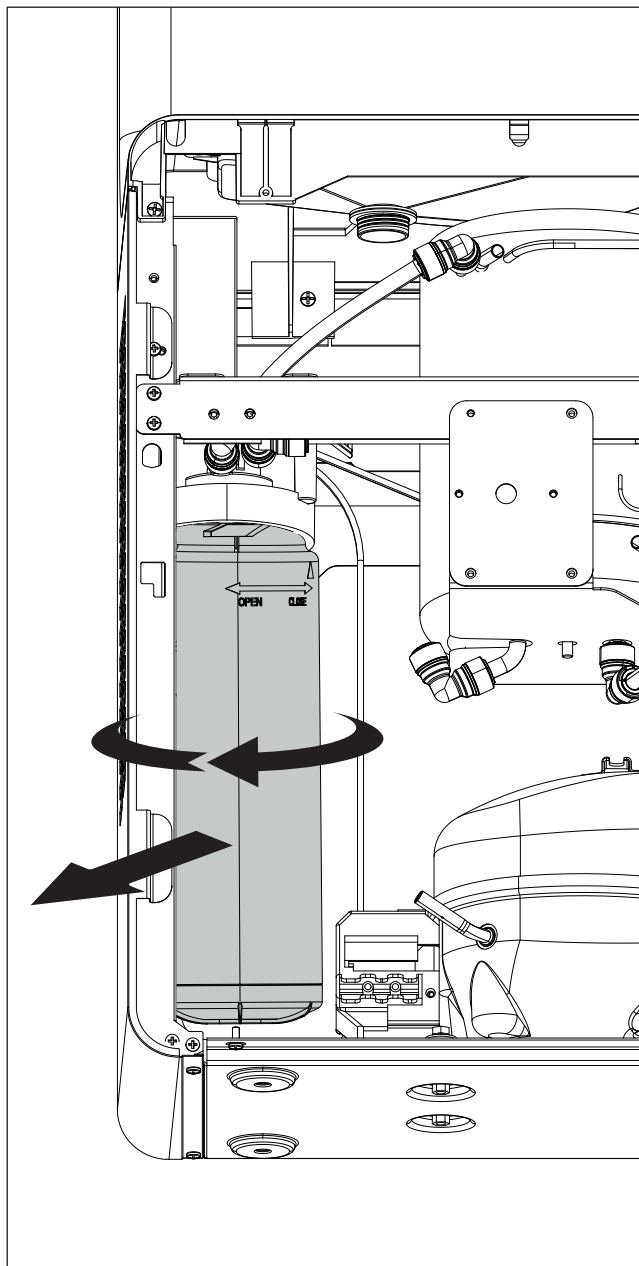


Fig 2



# Filter Replacement Instructions

Fig 3

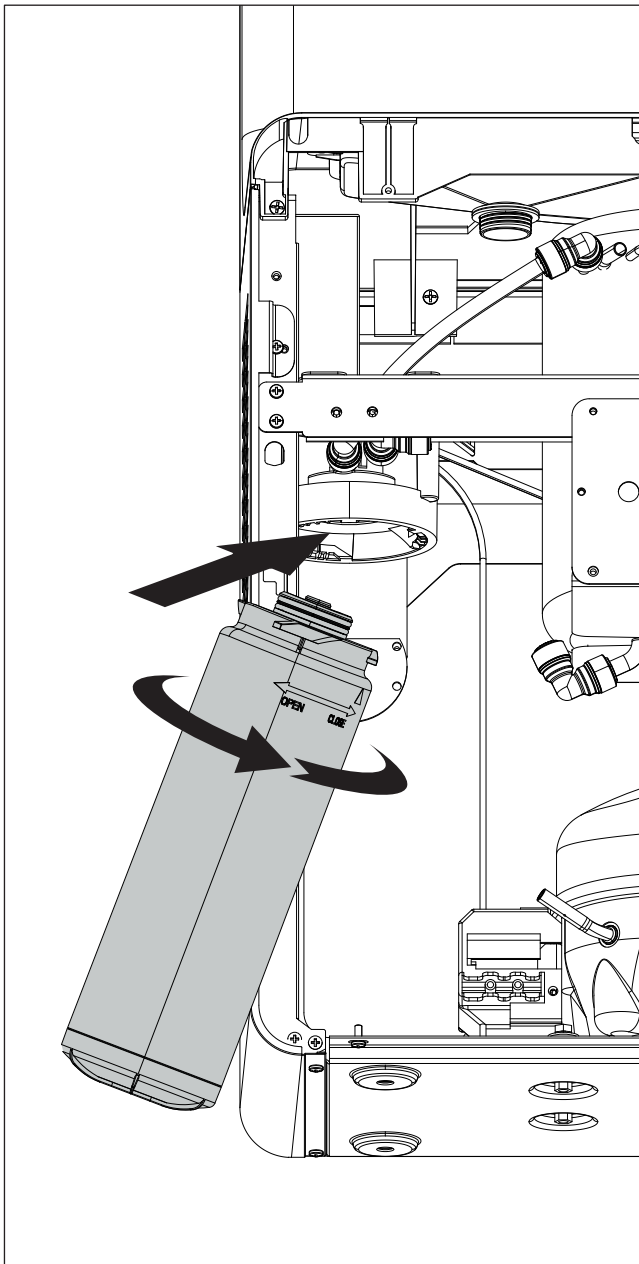
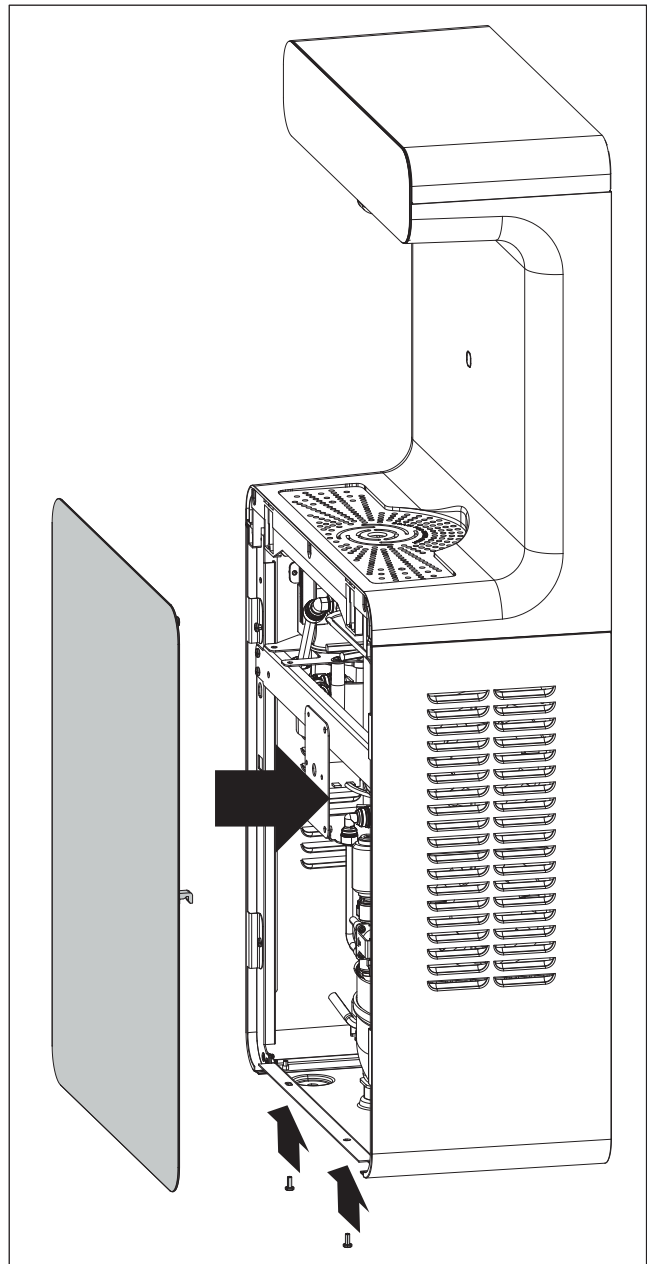


Fig 4



# Control Panel

## Display

**1. Bottles Saved Counter:**

Counts the number of 16oz Bottles that this device has prevented from entering a land fill.

**2. Filter Life Indicator:**

These six LEDs show the remaining capacity of the filter. The more lights that are illuminated, the more time and volume you have remaining in your filter. When the filter life nears capacity the lights will turn orange. At this time, we recommend reordering filters if you do not have replacements.

**3. Change Filter Indicator:**

Once the filter capacity is completely used up, the words "CHANGE FILTER" will illuminate in red.





## Cleaning

### 1. Stainless

General Cleaning: Use an ordinary mild detergent and a soft cloth. Rinse and towel dry when finished.

**DO NOT USE BLEACH OR PRODUCTS THAT CONTAIN BLEACH ON STAINLESS STEEL, IT CAN AFFECT THE CORROSION RESISTANCE.**

Light scratches are normal.

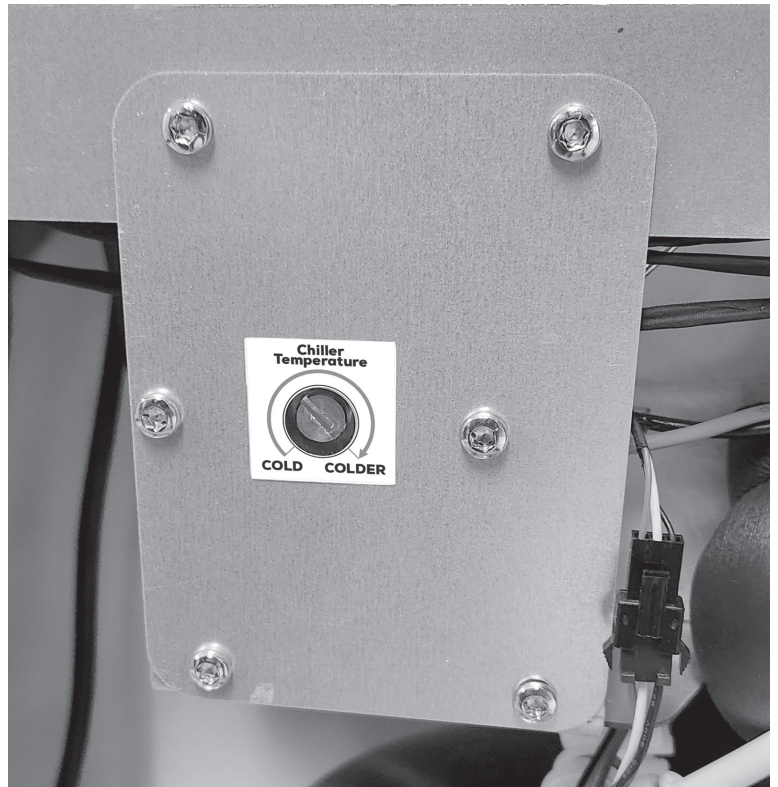
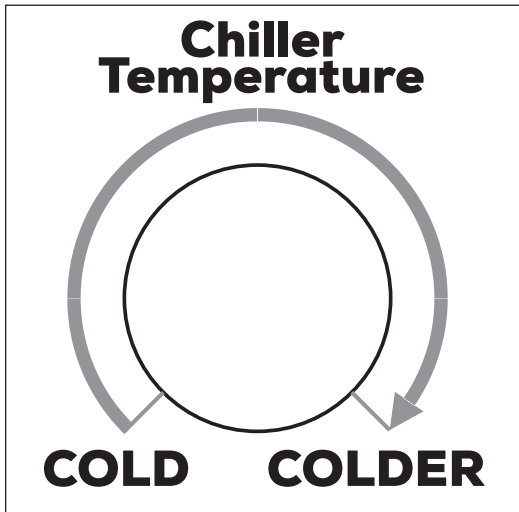
### 2. Plastic

General Cleaning: Use an ordinary mild detergent and a soft cloth. Rinse and towel dry when finished.

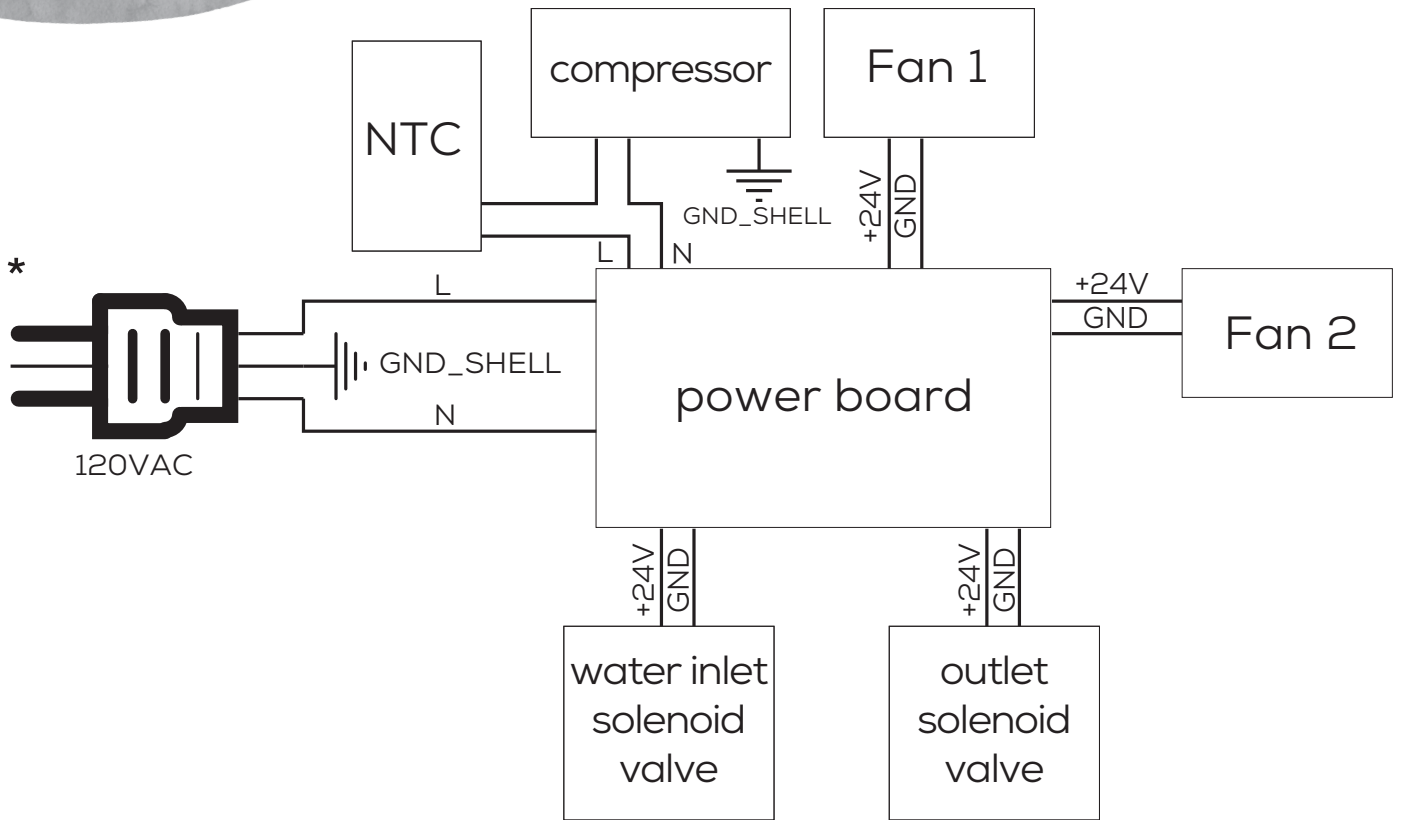
Wiping the surfaces will not hurt anti-microbial properties.

## Temperature Control

The factory sets the thermostat to 50 +/- 5 °F under normal conditions. To adjust the temperature, refer to the sticker found next to the Temperature Control Valve located near the Compressor and Cold Tank.



# Service: Wiring Diagram



## Error Codes

ERROR CODE	ERROR	CAUSE	SOLUTION
A01	The Water Cooler does not detect a genuine AquaTru Filter.	The filter element has been bound to another machine, or the label serial number does not match the machine.	<ol style="list-style-type: none"> <li>1. Make sure that a genuine AquaTru Filter is installed.</li> <li>2. Make sure that the filter is fully inserted into the filter manifold.</li> <li>3. Make sure that the filter is installed in the correct orientation.</li> <li>4. The Filter Scanner may have shifted during transportation. Gently pull on it (located behind the filter) to move it closer to the filter.</li> </ol>
A02	Refrigeration failure.	The compressor has not been turned on for 4 consecutive hours and there is no signal output.	<p>Check that the filter is fully installed.</p> <ol style="list-style-type: none"> <li>1. Check whether the inlet water temperature or ambient temperature is below 50° F.</li> <li>2. Check if the temperature switch is working properly.</li> <li>3. Restart the machine after troubleshooting.</li> </ol>

# Warranty Information

---

## Limited Warranty for AquaTru On-Wall Filling Station

Your AquaTru On-Wall Filling Station is warranted to be free from defects in materials and workmanship for one year from the original purchase date or eighteen (18) months from the date of shipment from the factory, whichever occurs first. Should the product have a defect in materials or workmanship, we will repair or replace parts without charge to you (a shipping and processing fee will apply). The warranty **does not include filters**. For the Warranty to apply the unit must be installed by a certified plumber and operated in accordance with the Manufacturer's written instructions included with each unit. To obtain service under warranty, simply call our customer service center toll-free at **800-919-7966** or **email at [aqtservice@idealliving.com](mailto:aqtservice@idealliving.com)**.

This warranty does not cover damage caused by accident, misuse, or any use other than as intended and described in this product manual, or damage resulting from failure to maintain and clean this product as specified in this product manual. This warranty applies only to the original purchaser of the AquaTru On-Wall Filling Station.

**ALL EXPRESS AND IMPLIED WARRANTIES FOR THIS PRODUCT, INCLUDING IMPLIED WARRANTIES OF MERCHANTABILITY AND FITNESS FOR A PARTICULAR PURPOSE, ARE LIMITED IN DURATION TO THE WARRANTY PERIOD, AND NO WARRANTIES, WHETHER EXPRESS OR IMPLIED, WILL APPLY AFTER THIS PERIOD.**

**SECOND THROUGH FIFTH YEARS WARRANTY FOR AQUATRU ON-WALL FILLING STATION** - Manufacturer warrants the compressor and related cooling or heating parts including cooling coils or tank assembly when part of the refrigeration system, to be free from defects in material and workmanship under normal use for an additional four (4) years from the end of the one (1) year period described above.

Some states do not allow limitations on the duration of implied warranties, so the above limitation may not apply to you. While this warranty gives you specific legal rights, you may also have other rights, which may vary from state to state.

### Contact Info for Warranty Service:

Ideal Living

P.O. Box 9169 | Van Nuys, CA | 91409-8291  
800-919-7966 | [enterprise.idealliving.com](http://enterprise.idealliving.com)

# Arbitration Agreement

---

**PLEASE READ THIS AGREEMENT CAREFULLY. YOU ACCEPT THE TERMS OF THIS AGREEMENT BY RETAINING THE PRODUCT(S) SHIPPED IN CONNECTION WITH THIS AGREEMENT (THE "PRODUCTS") FOR MORE THAN THIRTY (30) DAYS AFTER RECEIPT. IF YOU DO NOT AGREE TO THE TERMS OF THIS AGREEMENT, YOU MAY RETURN THE PRODUCT TO THE COMPANY WITHIN THIRTY (30) DAYS OF RECEIPT FOR A FULL REFUND.**

**THIS ARBITRATION AGREEMENT ("AGREEMENT") AFFECTS YOUR LEGAL RIGHTS AND REMEDIES BY PROVIDING THE DISPUTES BETWEEN YOU AND THE MANUFACTURER, DISTRIBUTOR AND/OR SELLER OF THIS PRODUCT (COLLECTIVELY, "COMPANY"), MUST BE RESOLVED THROUGH BINDING ARBITRATION AND NOT IN COURT. IT ALSO PROVIDES THAT ANY DISPUTE CANNOT BE RESOLVED IN A CLASS ACTION OR OTHER PROCEEDING WHERE YOU REPRESENT OTHER PERSONS OR OTHER PERSONS REPRESENT YOU, AND THAT NO CLASS OR REPRESENTATIVE ARBITRATIONS ARE PERMITTED. PLEASE CAREFULLY READ ALL TERMS IN THIS AGREEMENT.**

## **1. RESOLUTION OF CLAIMS OR DISPUTES.**

Any claim or dispute between you and Company (or any of Company's subsidiaries or affiliates) arising out of or relating in any way to the Product or this Agreement shall be resolved through final, binding arbitration. This arbitration obligation is reciprocally binding on both you and the Company and applies regardless of whether the claim or dispute involves a tort, fraud, misrepresentation, product liability, negligence, violation of a statute, or any other legal theory. Both you and Company specifically acknowledge and agree that you waive your right to bring a lawsuit based on such claims or disputes and to have such lawsuit resolved by a judge or jury.

## **2. LIMITATION OF LEGAL REMEDIES.**

All arbitrations under this Agreement shall be conducted on an individual (and not a class wide) basis, and an arbitrator shall have no authority to award class wide relief. You acknowledge and agree that this Agreement specifically prohibits you and the Company from commencing arbitration proceedings as a representative of others or joining in any arbitration proceedings brought by any other person. The parties agree that no class or representative actions of any type are permitted.

## **3. ARBITRATION PROCEDURES.**

- a.** Before instituting an arbitration, if you have any dispute, we strongly encourage you to contact the Company to try to resolve the matter by calling 800-919-7966, although you are not required to do so.
- b.** The arbitration of any claim or dispute under this Agreement shall be conducted in accordance with the expedited procedures set forth in the JAMS Comprehensive Arbitration Rules and Procedures as those Rules exist on the date you receive the Product, including Rules 16.1 and 16.2 of those Rules. These rules and procedures are available by calling JAMS or by visiting its website at jamsadr.com. The arbitration of any claim or dispute under this Agreement shall be conducted by an arbitrator who has at least five years of experience conducting arbitrations.
- c.** The arbitration of any claim or dispute under this Agreement shall be conducted in the State of California or the location in which you received this Agreement. For claims of \$10,000 or less, you may choose whether the arbitration proceeds in person, by telephone, or based only on submissions.
- d.** The Company shall pay costs for the arbitration of claims, including any JAMS Case Management Fee and all professional fees for the arbitrator's services. The Company shall pay the fees and costs of its own counsel, experts and witnesses and shall not be able to recoup them from you even if you do not prevail in the arbitration. Unless otherwise provided by law, you acknowledge and agree that you shall pay the fees and costs of your own counsel, experts and witnesses.

## **4. CHOICE OF LAW.**

The arbitration provisions of this Agreement and any arbitration conducted pursuant to the terms of this Agreement shall be governed by the Federal Arbitration Act (9 U.S.C. Secs. 1-16). In this respect, the parties acknowledge that this Agreement involves a transaction conducted in interstate commerce. Otherwise, this Agreement and the rights of the parties hereunder shall be governed by and construed in accordance with the laws of the State of California, exclusive of conflict or choice of law rules.

## **5. SEVERABILITY.**

If any provision of this Agreement is declared or found to be unlawful, unenforceable or void, such provision will be ineffective only to the extent that it is found unlawful, unenforceable or void, and the remainder of the provision and all other provisions shall remain fully enforceable.



# Acuerdo de Arbitraje

**LEA ATENTAMENTE ESTE ACUERDO. USTED ACEPTA LOS TÉRMINOS DE ESTE ACUERDO AL CONSERVAR EL PRODUCTO (LOS PRODUCTOS) ENVIADOS BAJO A ESTE ACUERDO (LOS "PRODUCTOS") POR MÁS DE TREINTA (30) DÍAS DESPUÉS DE SU RECEPCIÓN. SI NO ESTÁ DE ACUERDO CON LOS TÉRMINOS DE ESTE ACUERDO, PUEDE DEVOLVER EL PRODUCTO A LA EMPRESA EN UN PLAZO DE TREINTA (30) DÍAS A PARTIR DE HABERLO RECIBIDO PARA OBTENER UN REEMBOLSO COMPLETO.**

**TESTE ACUERDO DE ARBITRAJE ("ACUERDO") AFECTA A SUS DERECHOS Y RECURSOS LEGALES AL ESTABLECER QUE LAS DISPUTAS ENTRE USTED Y EL FABRICANTE, DISTRIBUIDOR Y/O VENDEDOR DE ESTE PRODUCTO (COLECTIVAMENTE, "COMPAÑÍA"), DEBEN RESOLVERSE MEDIANTE ARBITRAJE VINCULANTE Y NO EN LOS TRIBUNALES. TAMBIÉN ESTABLECE QUE CUALQUIER DISPUTA NO PUEDE SER RESUELTA EN UNA ACCIÓN COLECTIVA U OTRO PROCEDIMIENTO EN EL QUE USTED REPRESENTE A OTRAS PERSONAS O QUE OTRAS PERSONAS LE REPRESENTEN A USTED, Y QUE NO SE PERMITEN ARBITRAJES COLECTIVOS O REPRESENTATIVOS. POR FAVOR LEA DETENIDAMENTE TODOS LOS TÉRMINOS DE ESTE ACUERDO.**

## **1. RESOLUCIÓN DE RECLAMACIONES O DISPUTAS.**

Cualquier reclamación o disputa entre usted y la Compañía (o cualquiera de las subsidiarias o filiales de la Compañía) que surja o esté relacionada de alguna manera con el Producto o este Acuerdo se resolverá mediante un arbitraje final y vinculante. Esta obligación de arbitraje es recíprocamente vinculante tanto para usted como para la Compañía y se aplica independientemente de si la reclamación o disputa implica un agravio, fraude, tergiversación, responsabilidad por el producto, negligencia, violación de una ley o cualquier otra teoría legal. Tanto usted como la Compañía reconocen y aceptan específicamente que renuncian a su derecho a presentar una demanda judicial basada en dichas reclamaciones o disputas y a que dicha demanda sea resuelta por un juez o un jurado.

## **2. LIMITACIÓN DE LOS RECURSOS LEGALES.**

Todos los arbitrajes en virtud del presente Acuerdo se llevarán a cabo de forma individual (y no colectiva), y un árbitro no tendrá autoridad para conceder una reparación colectiva. Usted reconoce y acepta que este Acuerdo le prohíbe específicamente a usted y a la Compañía iniciar procedimientos de arbitraje como representante de otros o unirse a cualquier procedimiento de arbitraje presentado por cualquier otra persona. Las partes acuerdan que no se permiten acciones colectivas o representativas de ningún tipo.

## **3. PROCEDIMIENTOS DE ARBITRAJE.**

- a.** Antes de iniciar un arbitraje, si tiene alguna disputa le recomendamos encarecidamente que se ponga en contacto con la Compañía para intentar resolver el asunto llamando al 800-919-7966, aunque no está obligado a hacerlo.
- b.** El arbitraje de cualquier reclamación o disputa en virtud de este Acuerdo se llevará a cabo de acuerdo con los procedimientos acelerados establecidos en las Normas y Procedimientos de Arbitraje Integrales de JAMS, tal y como existían en la fecha en que usted recibió el Producto, incluidas las Normas 16.1 y 16.2 de dichas Normas. Estas normas y procedimientos están disponibles llamando a JAMS o visitando su sitio web en [www.jamsadr.com](http://www.jamsadr.com). El arbitraje de cualquier reclamación o disputa en virtud de este Acuerdo será llevado a cabo por un árbitro que tenga al menos cinco años de experiencia en la realización de arbitrajes.
- c.** El arbitraje de cualquier reclamación o disputa en virtud de este Acuerdo se llevará a cabo en el Estado de California o en el lugar en el que usted recibió este Acuerdo. En el caso de reclamaciones de \$10,000 o menos, usted podrá elegir si el arbitraje se lleva a cabo en persona, por teléfono o únicamente basado en la presentación de documentación.
- d.** La Compañía pagará los costes del arbitraje de las reclamaciones, incluyendo cualquier tasa de gestión de casos de JAMS y todos los honorarios profesionales por los servicios del árbitro. La Compañía pagará los honorarios y costes de sus propios abogados, peritos y testigos y no podrá recuperarlos de usted aunque no prevalezca en el arbitraje. A menos que la ley disponga lo contrario, usted reconoce y acepta que pagará los honorarios y costes de su propio abogado, peritos y testigos.

## **4. ELECCIÓN DE LA LEY.**

Las disposiciones de arbitraje de este Acuerdo y cualquier arbitraje llevado a cabo de conformidad con los términos de este Acuerdo se regirán por la Ley Federal de Arbitraje (9 U.S.C. Artículos 1-16). A este respecto, las partes reconocen que este Acuerdo implica una transacción realizada en el comercio interestatal. Por lo demás, el presente Acuerdo y los derechos de las partes en virtud del mismo se regirán e interpretarán de acuerdo con las leyes del Estado de California, excluyendo las normas de conflicto o elección de la ley.

## **5. DISPOSICIONES INDEPENDIENTES.**

Si alguna de las disposiciones del presente Acuerdo se declara o se considera ilegal, inaplicable o nula, dicha disposición será ineficaz sólo en la medida en que se considere ilegal, inaplicable o nula, y el resto de las disposiciones y todas las demás cláusulas seguirán siendo aplicables plenamente.

# Main Parts - SKU Listing

DIAGRAM #	PART DESCRIPTION	SKU
<b>1</b>	Control Panel	10AT01WFP01
<b>2</b>	Display Guide	10AT01WFP02
<b>3</b>	Light Cover	10AT01WFP03
<b>4</b>	Screen PCB	10AT01WFP04
<b>5</b>	Elbow Connector 1/4" to 3/8"	10AT01WFP05
<b>6</b>	Solenoid	10AT01WFP06
<b>7</b>	Dispenser Insert	10AT01WFP07
<b>8</b>	Dispensing Tube	10AT01WFP08
<b>9</b>	Dispensing Tube Cover	10AT01WFP09
<b>10</b>	Sensor Lens	10AT01WFP10
<b>11</b>	Bottle Sensor	10AT01WFP11
<b>12</b>	Dispenser Top	10AT01WFP12
<b>13</b>	Bottle Dispenser Top	10AT01WFP13
<b>14</b>	Bottle Dispenser	10AT01WFP14
<b>15</b>	Drip tray Gasket	10AT01WFP15
<b>16</b>	Drip Tray	10AT01WFP16
<b>17</b>	Drain Basin	10AT01WFP17
<b>18</b>	Drain Tube Gasket	10AT01WFP18
<b>19</b>	Threaded Insert for Drain Tube	10AT01WFP19
<b>20</b>	Drain Tube	10AT01WFP20
<b>21</b>	Left Frame	10AT01WFP21
<b>22</b>	Left Cover	10AT01WFP22
<b>23</b>	3/8" PE Pipe	10AT01WFP23
<b>24</b>	Front Cover Panel	10AT01WFP24
<b>25</b>	Bottle Counter Reset Switch	10AT01WFP25
<b>26</b>	Front Frame Brace	10AT01WFP26
<b>27</b>	Evaporator (Water) Tank	10AT01WFP27
<b>28</b>	Flow Meter	10AT01WFP28
<b>29</b>	Thermostat	10AT01WFP29
<b>30</b>	Thermostat Mount	10AT01WFP30
<b>31</b>	Mounting Bracket	10AT01WFP31
<b>32</b>	Back Cover	10AT01WFP32
<b>33</b>	Condenser	10AT01WFP33
<b>34</b>	Fan	10AT01WFP34

<b>DIAGRAM #</b>	<b>PART DESCRIPTION</b>	<b>SKU</b>
<b>35</b>	Fan Cowling	10AT01WFP35
<b>36</b>	Right Frame	10AT01WFP36
<b>37</b>	Right Cover	10AT01WFP37
<b>38</b>	Big O-ring	10AT01WFP38
<b>39</b>	Filter Sump	10AT01WFP39
<b>40</b>	Small O-ring	10AT01WFP40
<b>41</b>	Carbon Top Cap	10AT01WFP41
<b>42</b>	Carbon Block	10AT01WFP42
<b>43</b>	Carbon End Cap	10AT01WFP43
<b>44</b>	Filter End Cap	10AT01WFP44
<b>45</b>	Filter Manifold	10AT01WFP45
<b>46</b>	Valve Stem	10AT01WFP46
<b>47</b>	Spring	10AT01WFP47
<b>48</b>	Flow Wiper	10AT01WFP48
<b>49</b>	Flow Wiper Cover	10AT01WFP49
<b>50</b>	NFC Reader	10AT01WFP50
<b>51</b>	NFC Reader Mounting Plate	10AT01WFP51
<b>52</b>	Manifold Mounting Plate	10AT01WFP52
<b>53</b>	Control Board Mounting Plate	10AT01WFP53
<b>54</b>	Control Board	10AT01WFP54
<b>55</b>	Control Board Cover	10AT01WFP55
<b>56</b>	Compressor	10AT01WFP56
<b>57</b>	1/4" PE Pipe	10AT01WFP57
<b>58</b>	Pressure Wiper	10AT01WFP58
<b>59</b>	Copper Pipe	10AT01WFP59
<b>60</b>	Refrigerant Filter and Capillary Tube	10AT01WFP60
<b>61</b>	Elbow Connector 3/8" to 3/8"	10AT01WFP61
<b>62</b>	Elbow Connector 1/4" to 1/4"	10AT01WFP62
<b>63</b>	Elbow Connector 1/4" Male to 3/8" Female	10AT01WFP63
<b>64</b>	Elbow Connector 5/16" to 3/8"	10AT01WFP64
<b>65</b>	1/4" to 5/16" Elbow Connector	10AT01WFP65
<b>Not Shown</b>	Compressor Overload	10AT01WFP96
<b>Not Shown</b>	Compressor Relay	10AT01WFP97
<b>Not Shown</b>	Power Cord	10AT01WFP98



# AQUATru<sup>®</sup>

BY IDEAL LIVING

[Enterprise.idealliving.com/water-solutions](https://Enterprise.idealliving.com/water-solutions)

©2024 AquaTru, LLC. All Rights Reserved. 05.24.R5